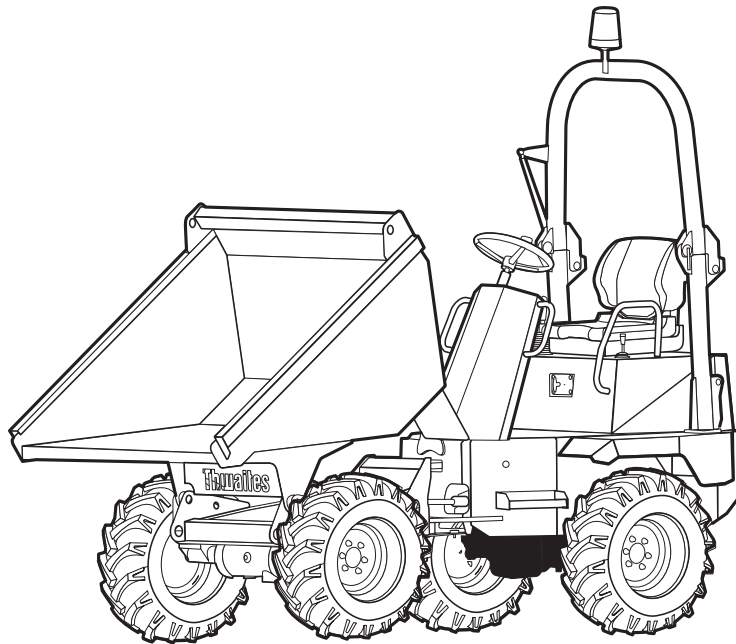
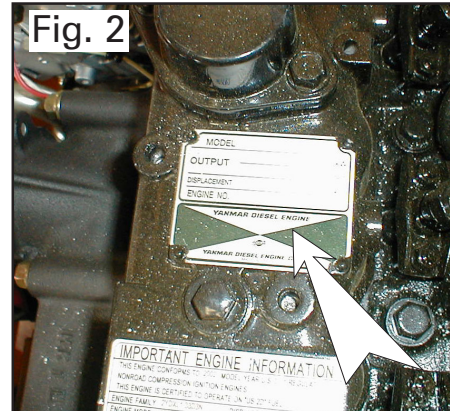
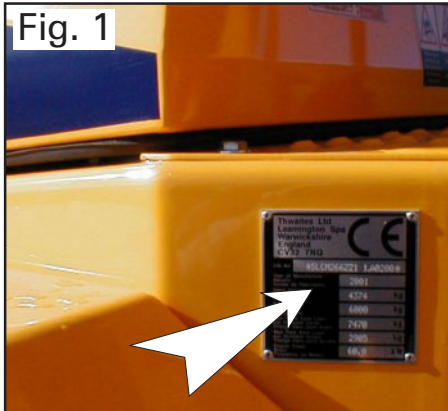


Thwaites**320 - 2 TONNE FORWARD TIP****allparts****Thwaites**
allparts

Thwaites Ltd
Leamington Spa
Warwickshire
CV32 7NQ
Tel +44 (0)1926 422471
Fax +44 (0)1926 450458
www.thwaitesdumpers.co.uk

FROM VIN No. A4320**DATED** 17th MARCH 2004**VIN No.** A _ _ _ _ _**ENGINE BUILD No.** 3TNV82A-KWA**PAYLOAD** 2 TONNE**SKIP** FORWARD TIP**TRANSMISSION** MANUAL**TYPE** MACH 320**PREFIX No.** 05

MACHINE IDENTIFICATION



Serial Numbers

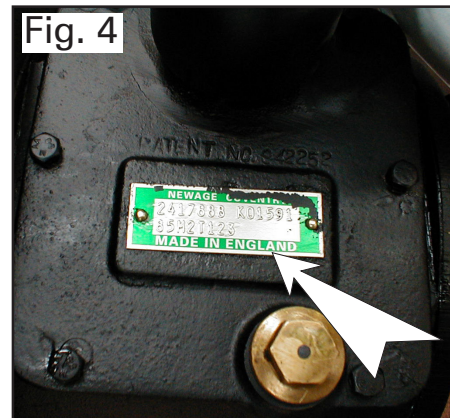
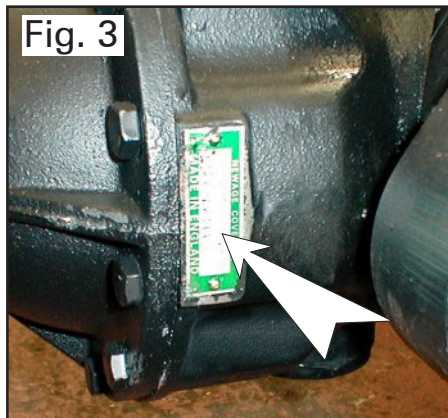
Note machine serial numbers. Always quote them in communication with Thwaites dealer or Head Office.

Model Type (Fig 1.)

Vin N° (Fig. 1)

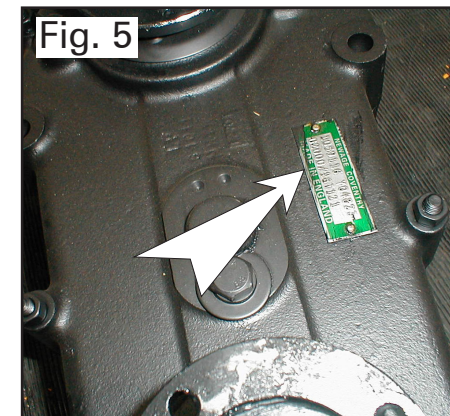
Engine Serial N° (Fig. 2)

**Axle Serial N° (Fig. 3) Front
Rear**



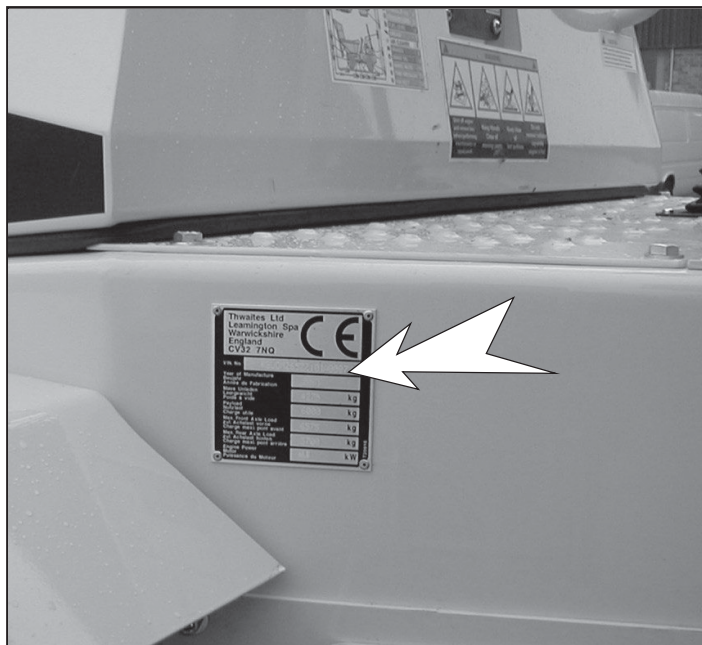
Gearbox N° (Fig. 4)

Transfer Box N° (Fig. 5)



VEHICLE IDENTIFICATION NUMBER - (VIN)

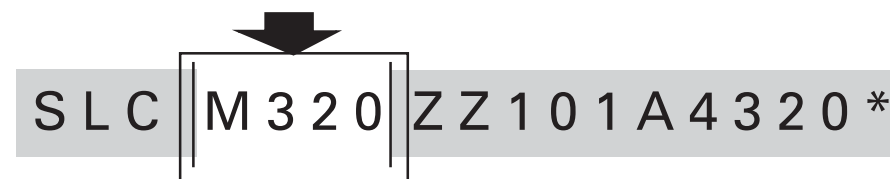
Thwaites have now adopted the international identification system known as VEHICLE IDENTIFICATION NUMBER normally referred to as VIN.



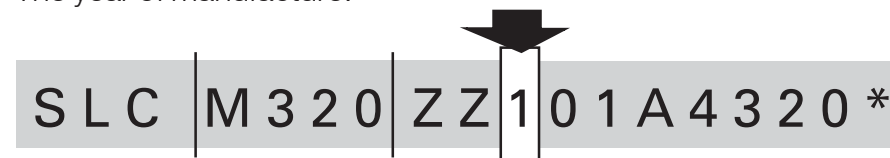
The VIN number incorporates a number of security features and also the machine model and individual serial number.

Important note: *Do not use this parts manual to order replacement spares if the prefix level of your machine is higher than the number quoted at the front of this parts manual.*

When ordering replacement spares it is important that the model or MACH number is used to identify the correct parts manual.



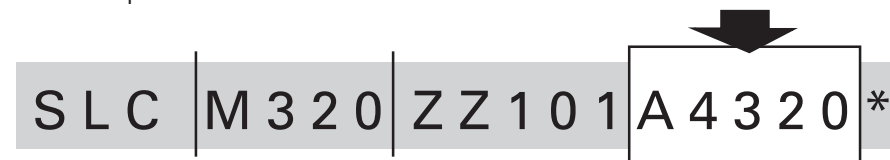
The year of manufacture:



The Machine Parts Manual issue level denoted by the two digit Prefix Number:

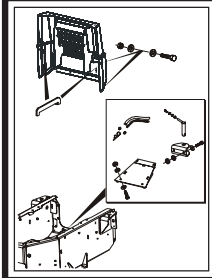


The unique machine serial number:



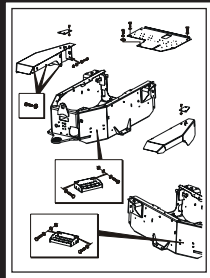
Please ensure that these numbers are quoted in all correspondence with your Thwaites distributor.

REAR COVER ASSEMBLY



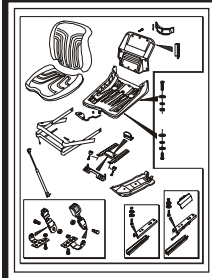
PAGE 1

REAR CHASSIS ASSEMBLY



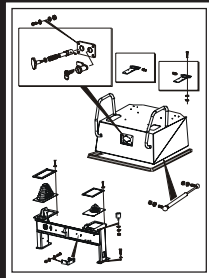
PAGE 2

SEAT ASSEMBLY



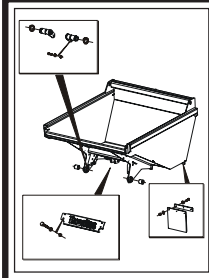
PAGE 3

ENGINE COVER ASSEMBLY



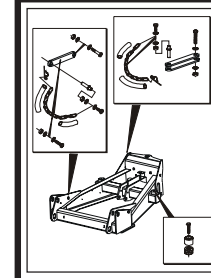
PAGE 4

SKIP ASSEMBLY



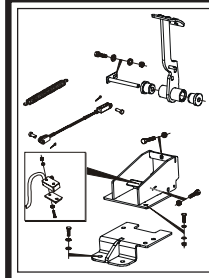
PAGE 5

FRONT CHASSIS ASSEMBLY



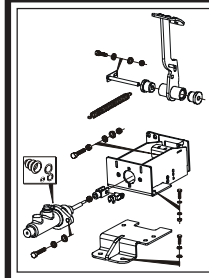
PAGE 6

CLUTCH PEDAL ASSEMBLY



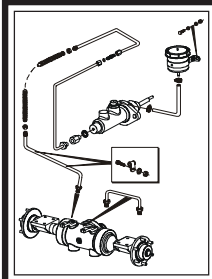
PAGE 7

BRAKE PEDAL ASSEMBLY



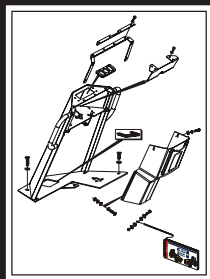
PAGE 8

BRAKE CIRCUIT



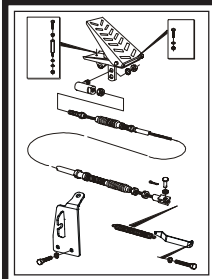
PAGE 9

LEG GUARD ASSEMBLY



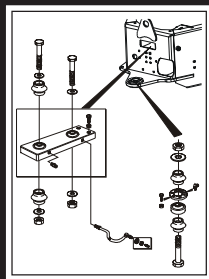
PAGE 10

THROTTLE ASSEMBLY



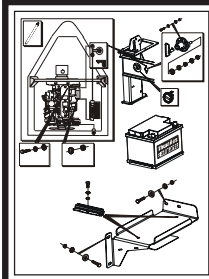
PAGE 11

KINGLINK ASSEMBLY



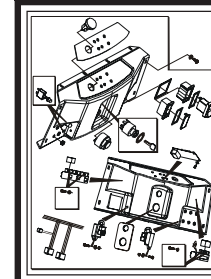
PAGE 12

BATTERY BOX ASSEMBLY



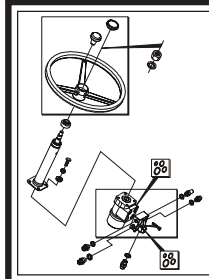
PAGE 13

DASH PANEL ASSEMBLY



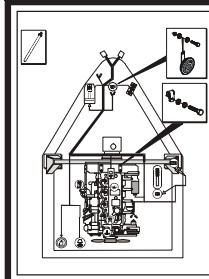
PAGE 14

STEERING ASSEMBLY



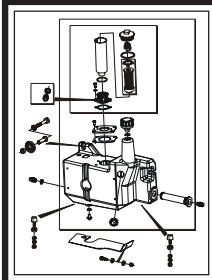
PAGE 15

ENGINE HARNESS



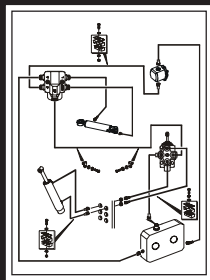
PAGE 16

HYD. TANK ASSEMBLY



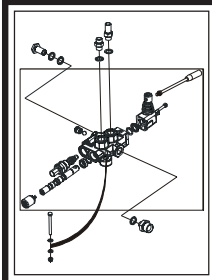
PAGE 17 & 18

HYD. CIRCUIT CONTROLS



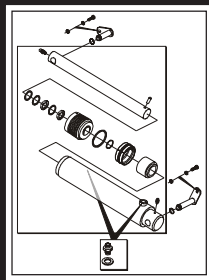
PAGE 19

TIPPING VALVE ASSEMBLY



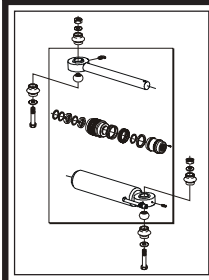
PAGE 20

TIPPING RAM ASSEMBLY



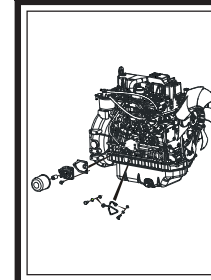
PAGE 21

STEERING RAM ASSEMBLY



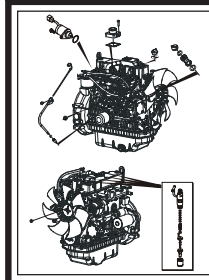
PAGE 22

ENGINE - OIL FILTER ASSY.



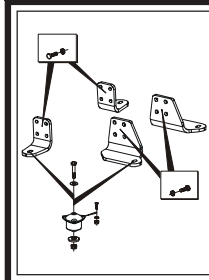
PAGE 23

ENGINE ACCESSORIES



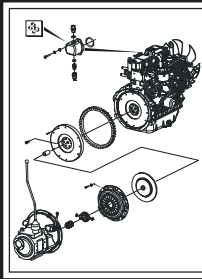
PAGE 24

ENGINE MOUNTINGS



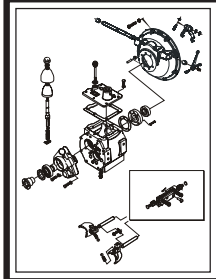
PAGE 25

CLUTCH ASSY. & HYD. PUMP



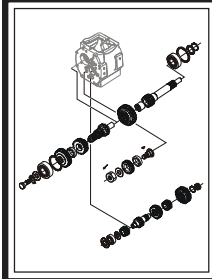
PAGE 26

G/BOX - FORKS & HOUSING



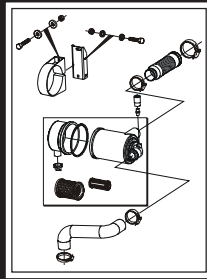
PAGE 27 & 28

GEARBOX - INTERNAL



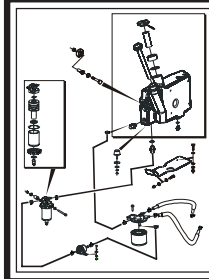
PAGE 29

AIR CLEANER ASSEMBLY



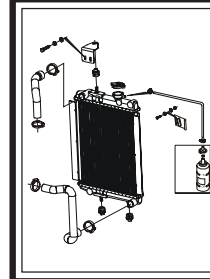
PAGE 30

FUEL TANK ASSEMBLY



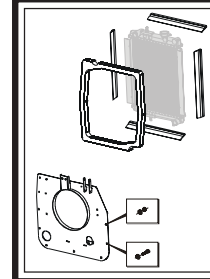
PAGE 31 & 32

RADIATOR & FIXINGS



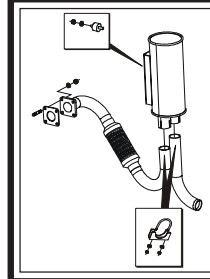
PAGE 33

RAD. SEALS & FIXINGS



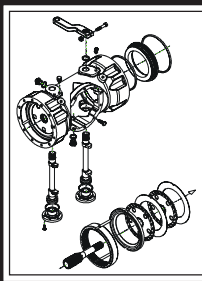
PAGE 34

EXHAUST SYSTEM



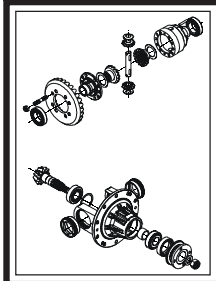
PAGE 35

FRONT AXLE - MAIN CASE



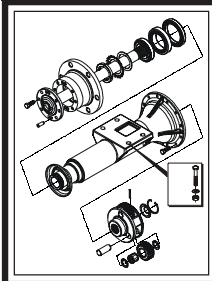
PAGE 36

FRONT AXLE - DIFF ASSEMBLY



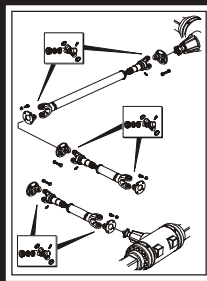
PAGE 37

FRONT AXLE - HUB & ARM



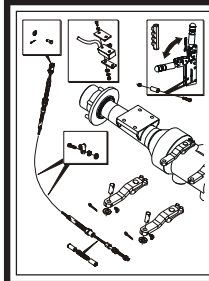
PAGE 38

PROPSHAFTS



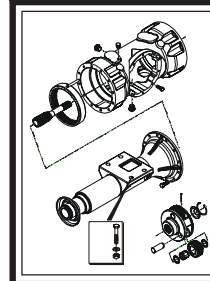
PAGE 39

HANDBRAKE ASSEMBLY



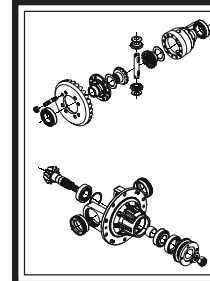
PAGE 40

REAR AXLE - MAIN CASE



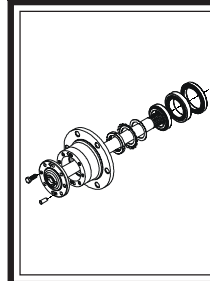
PAGE 41

REAR AXLE - DIFF ASSEMBLY



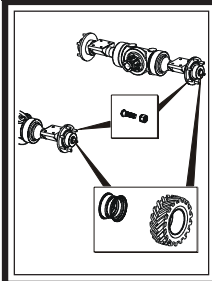
PAGE 42

REAR AXLE - HUB & ARM



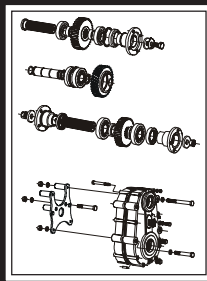
PAGE 43

WHEEL ASSEMBLY



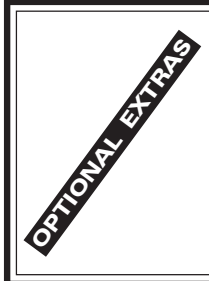
PAGE 44

TRANSFER BOX



PAGE 45 & 46

OPTIONAL EXTRAS



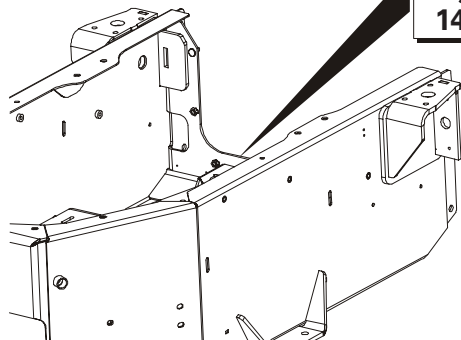
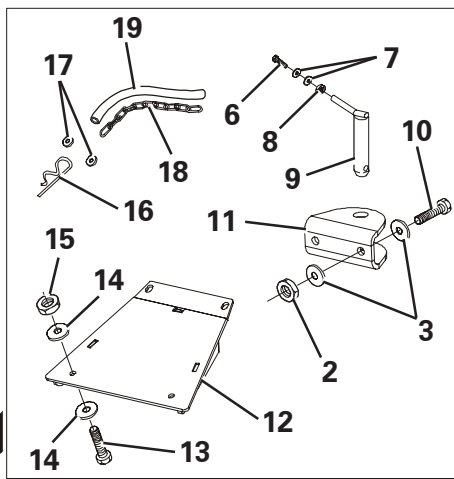
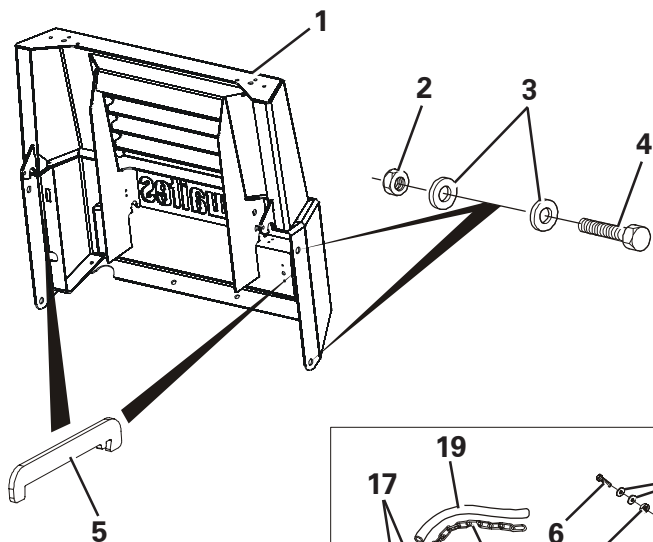
PAGE 47

MODIFICATIONS & ADDITIONS



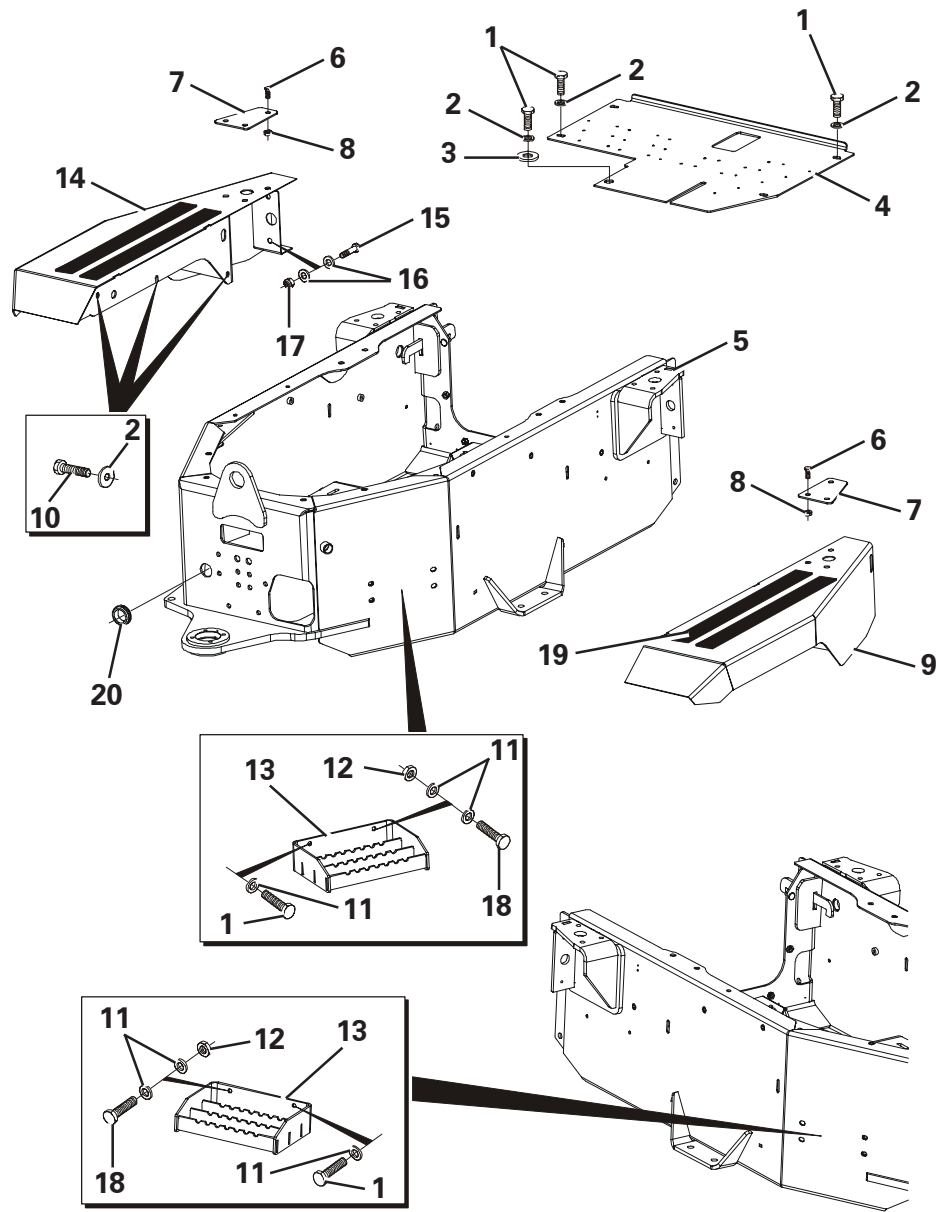
PAGE 48, 49 & 50

REAR COVER ASSEMBLY



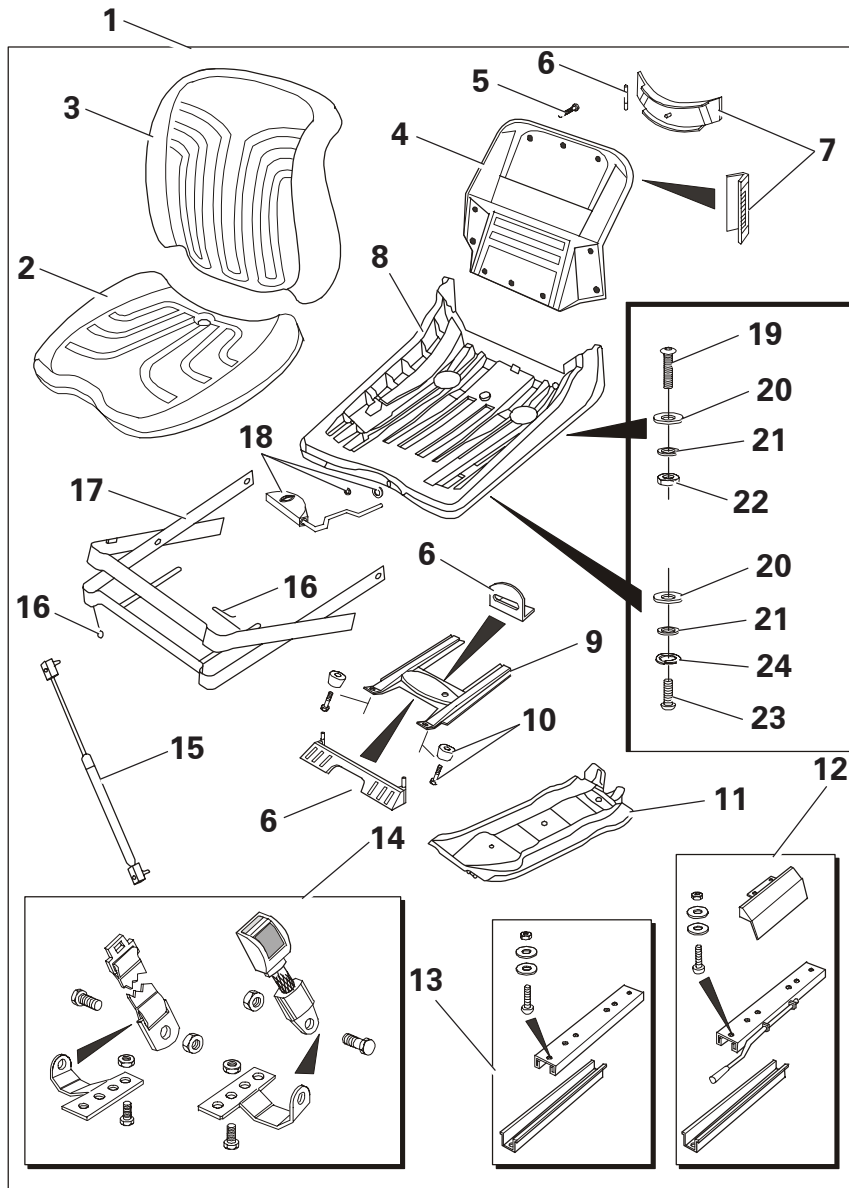
Item	Part No.	Description	Qty	U/M
1*	T102545	REAR COVER ASSY	1.0	EA
2	T14910	STOVER NUT	6.0	EA
3	T100867	PLAIN WASHER	12.0	EA
4	T11316	BOLT	4.0	EA
5	T101345	RETAINING STRAP	2.0	EA
6	T16477	BOLT	1.0	EA
7	T13911	FLAT WASHER	2.0	EA
8	T10431	NUT	1.0	EA
9	T100156	TOWING PIN	1.0	EA
10	T11315	BOLT	2.0	EA
11	T100155	TOWING JAW	1.0	EA
12	T101100	TOWING BRACKET	1.0	EA
13	T100470	BOLT	4.0	EA
14	T14748	PLAIN WASHER	8.0	EA
15	T14283	PHILIDAS NUT	4.0	EA
16	T6075	LYNCH PIN	1.0	EA
17	T6668	WASHER	2.0	EA
18	T17507	LOCKING PIN CHAIN	1.0	EA
19	T17508	CHAIN SLEEVE	1.0	EA

REAR CHASSIS ASSEMBLY



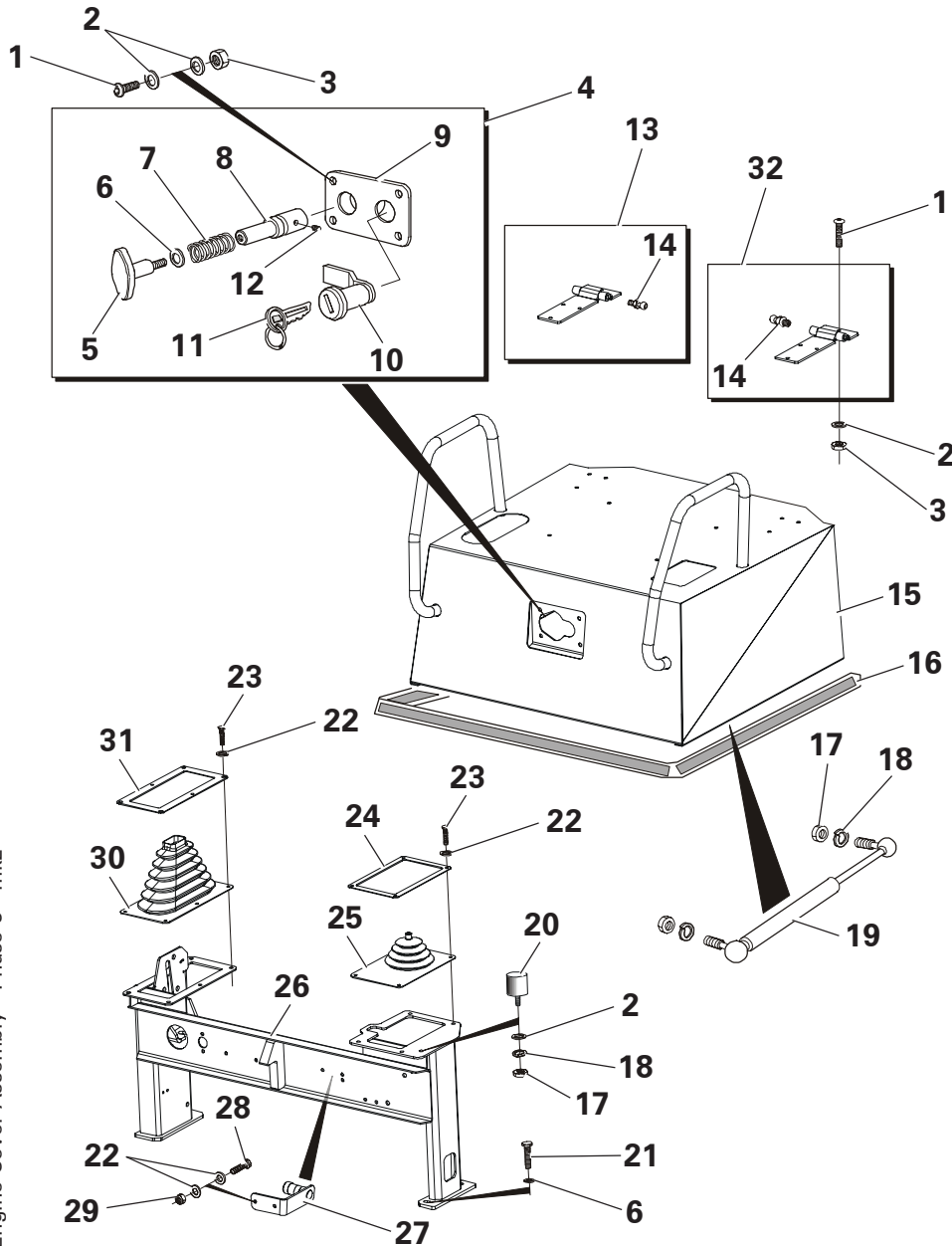
Item	Part No.	Description	Qty	U/M
1	T20618	SET SCREW	9.0	EA
2	T10734	HEAVY DUTY WASHER	11.0	EA
3	T8128	WASHER	1.0	EA
4	T101004	FLOORPLATE	1.0	EA
5	T101103	REAR CHASSIS	1.0	EA
6	T14078	BOLT	6.0	EA
7	T101352	ROPS MOUNTING COVER PLATE	2.0	EA
8	T14283	PHILIDAS NUT	6.0	EA
9	T101116	MUDGUARD ASSY LH	1.0	EA
10	T7466	SET SCREW	6.0	EA
11	T15819	PLAIN WASHER	12.0	EA
12	T13064	NUT	4.0	EA
13	T100147	STEP	2.0	EA
14	T101101	MUDGUARD ASSY RH	1.0	EA
15	T16476	SET BOLT	2.0	EA
16	T13911	FLAT WASHER	4.0	EA
17	T16481	NYLOC NUT	2.0	EA
18	T16505	SET BOLT	4.0	EA
19	T101567	ANTI SLIP MAT	4.0	EA
20	T17123	GROMMET	1.0	EA

SEAT ASSEMBLY



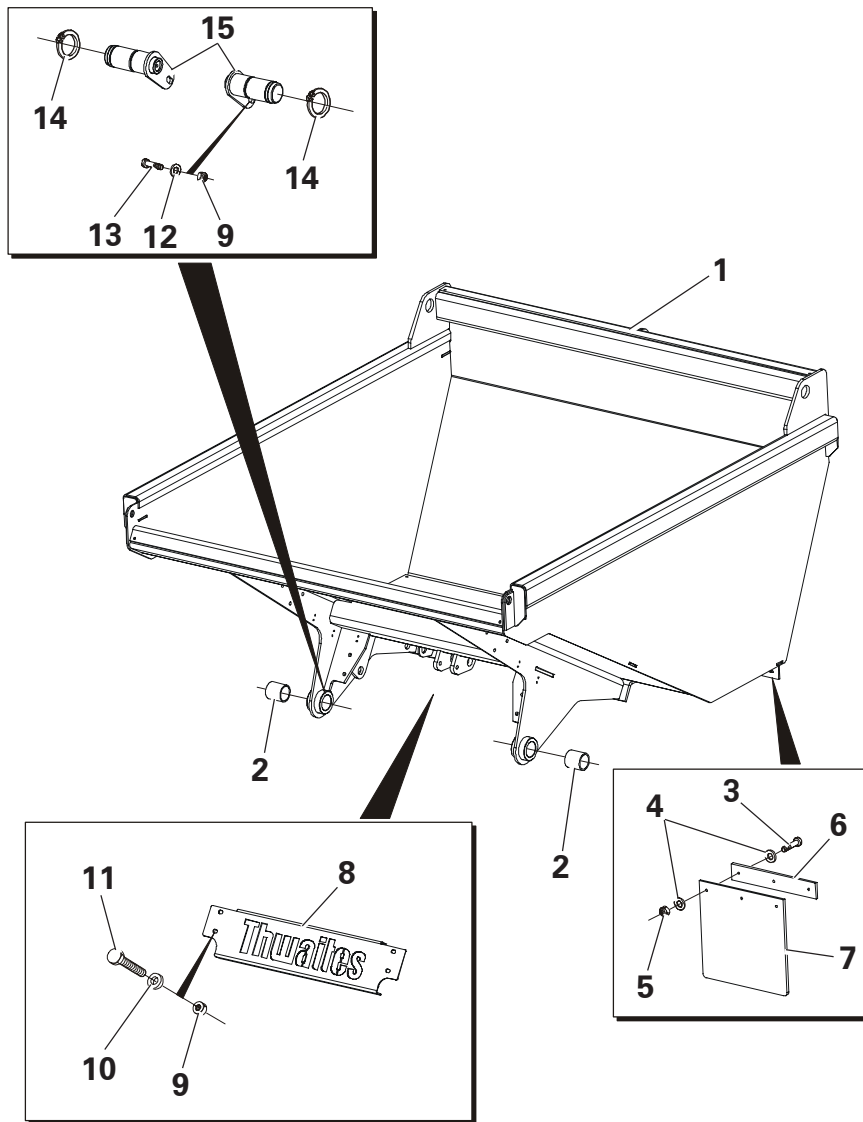
Item	Part No.	Description	Qty	U/M
1	T100024	SEAT-MSG20 C/W BELTS	1.0	EA
2	T52524	SEAT CUSHION VINYL	1.0	EA
3	T51918	UPHOLSTERED BACK REST	1.0	EA
4	T51919	PLATE	1.0	EA
5	T51920	SCREW SET	1.0	EA
6	T51928	FRAME KIT	1.0	EA
7	T51936	BLANKING COVERS	1.0	EA
8	T52525	SEAT PAN	1.0	EA
9	T52530	OUTER SWING ARM	1.0	EA
10	T51927	SCREW & WASHER SET	1.0	EA
11	T52529	INNER SWING ARM	1.0	EA
12	T51929	SLIDE RAIL KIT	1.0	EA
13	T51930	SLIDE RAIL	1.0	EA
14	T52536	SEAT BELT	1.0	EA
15	T52531	SHOCK ABSORBER	1.0	EA
16	T52526	REPAIR KIT	1.0	EA
17	T52527	SUSPENSION COVER	1.0	EA
18	T51921	LEVER	1.0	EA
19	T12971	BUTTON HEAD SCREW	2.0	EA
20	T9345	WASHER	4.0	EA
21	T12973	PLAIN WASHER	4.0	EA
22	T13457	NYLOC NUT	2.0	EA
23	T12832	DOME HEAD SCREW	2.0	EA
24	T12972	SPRING WASHER	2.0	EA

ENGINE COVER ASSEMBLY



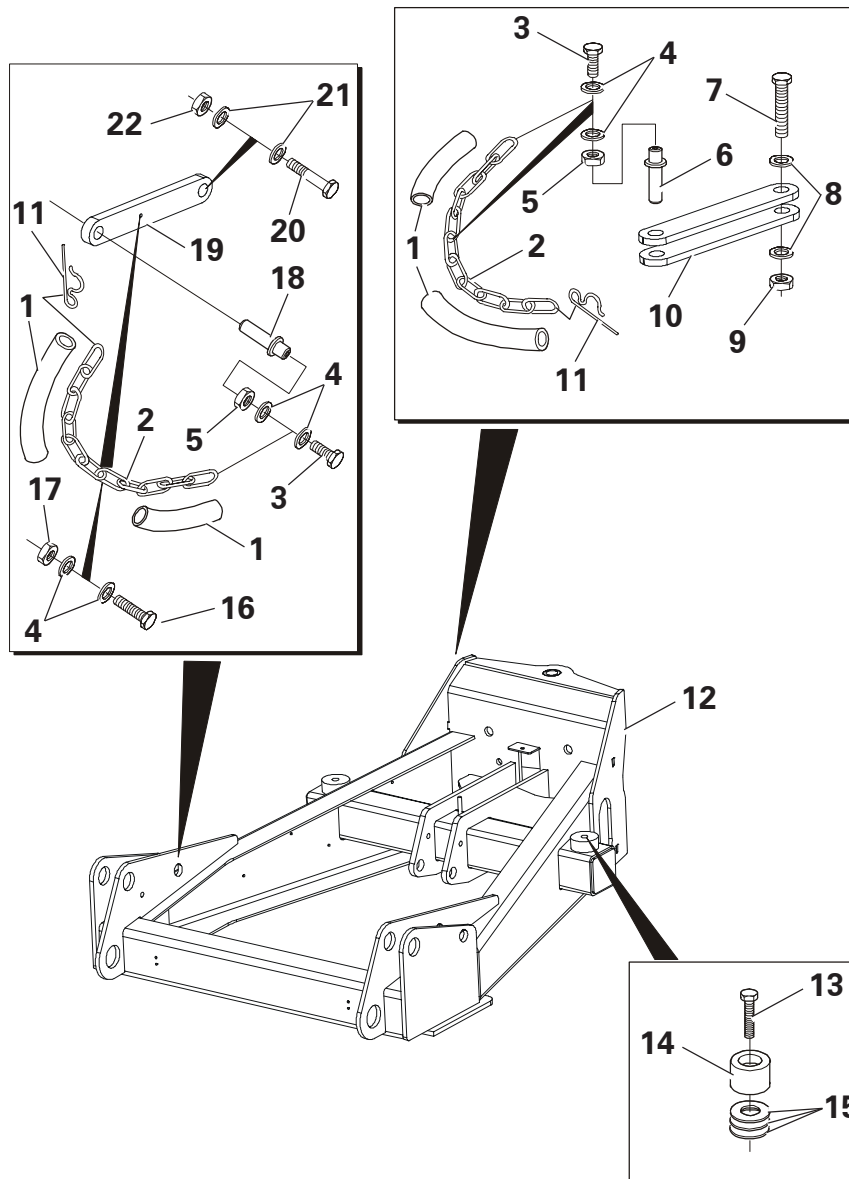
Item	Part No.	Description	Qty	U/M
1	T12971	BUTTON HEAD SCREW	16.0	EA
2	T12973	PLAIN WASHER	22.0	EA
3	T13457	NYLOC NUT	16.0	EA
4	T100211	LOCK ASSY	1.0	EA
5	T100216	RENCOL HANDLE	1.0	EA
6	T10734	H/DUTY WASHER	5.0	EA
7	T100287	SPRING	1.0	EA
8	T100266	LOCK PLUNGER	1.0	EA
9	T100286	WELDED LOCK ASSY	1.0	EA
10	T100265	COMPARTMENT LOCK	1.0	EA
11	T50479	SWITCH KEY	1.0	EA
12	T100477	GRUB SCREW	1.0	EA
13	T101780	HINGE RH (WITH GREASE NIPPLE)	1.0	EA
14	T16586	GREASE NIPPLE - STRAIGHT	2.0	EA
15	T101104	ENGINE COVER	1.0	EA
16	T101249	SEAL	1.0	EA
17	T9775	NUT	6.0	EA
18	T12972	SPRING WASHER	6.0	EA
19	T100610	GAS STRUT	2.0	EA
20	T100214	RUBBER BUFFER	2.0	EA
21	T16505	SET BOLT	4.0	EA
22	T13911	FLAT WASHER	13.0	EA
23	T16492	DOME HEAD SCREW	9.0	EA
24	T100569	TIPPING GAITER RETAINING PLATE	1.0	EA
25	T100289	TIPPING LEVER GAITER	1.0	EA
26	T100975	CROSS BRACE	1.0	EA
27	T101347	BEACON STORAGE BRACKET	1.0	EA
28	T16477	BOLT	2.0	EA
29	T16481	NYLOC NUT	2.0	EA
30	T100911	GAITER	1.0	EA
31	T100570	HANDBRAKE GAITER RETAINER	1.0	EA
32	T101779	HINGE LH (WITH GREASE NIPPLE)	1.0	EA

SKIP ASSEMBLY



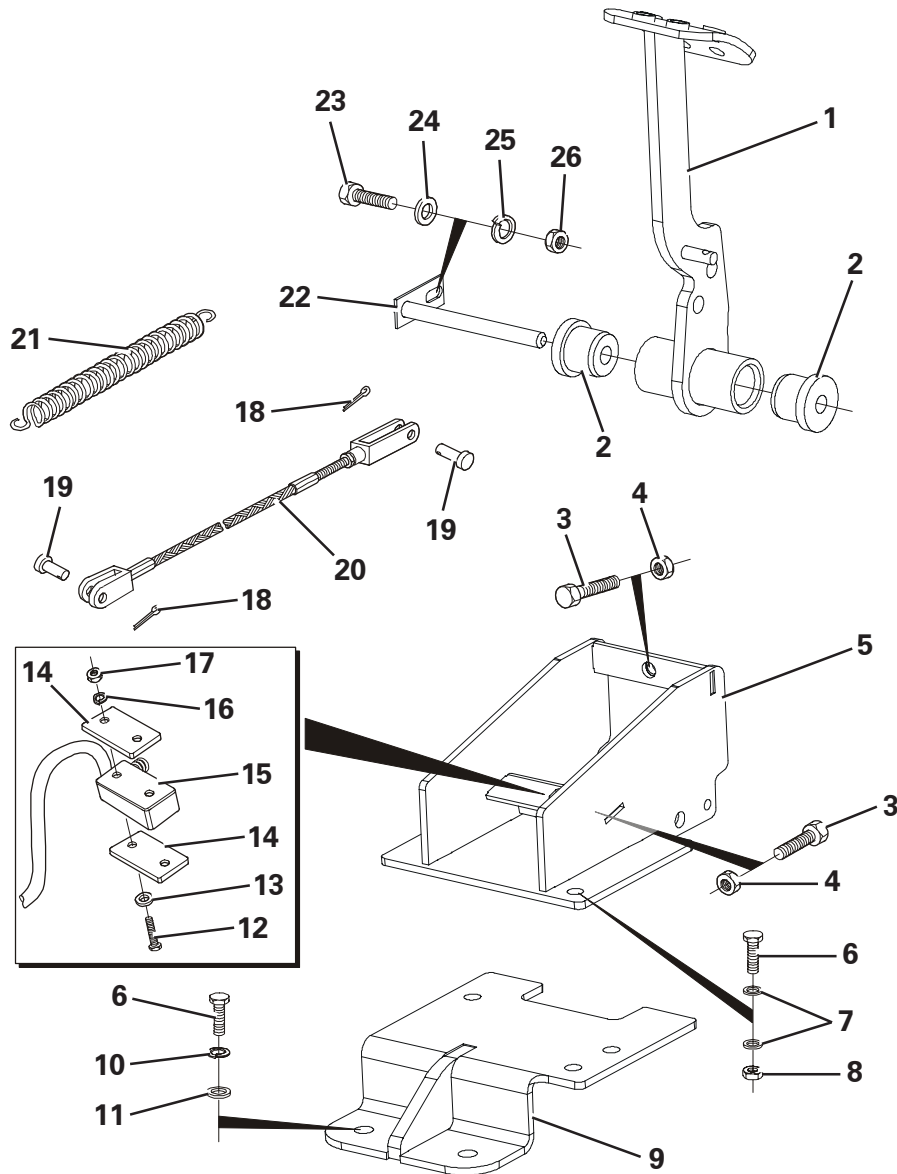
Item	Part No.	Description	Qty	U/M
1	T100991	SKIP	1.0	EA
2	T100029	BUSH	2.0	EA
3	T17086	BUTTON HEAD SCREW	6.0	EA
4	T13911	FLAT WASHER	12.0	EA
5	T16481	NYLOC NUT	6.0	EA
6	T18068	MUDFLAP RETAINER	2.0	EA
7	T18059	RUBBER MUDFLAP	2.0	EA
8	T100964	FRONT NAMEPLATE	1.0	EA
9	T13064	NUT	6.0	EA
10	T15819	PLAIN WASHER	4.0	EA
11	T20618	SET SCREW	4.0	EA
12	T10734	H/DUTY WASHER	2.0	EA
13	T16505	SET BOLT	2.0	EA
14	T100099	CIRCLIP	2.0	EA
15	T100995	SKIP PIVOT PIN	2.0	EA

FRONT CHASSIS ASSEMBLY



Item	Part No.	Description	Qty	U/M
1	T19465	CHAIN SLEEVE	4.0	EA
2	T18186	PIN RETAINING CHAIN	2.0	EA
3	T16476	SET BOLT	3.0	EA
4	T13911	FLAT WASHER	8.0	EA
5	T10431	NUT	3.0	EA
6	T101036	CHASSIS LOCK PIN ASSY	1.0	EA
7	T100310	BOLT	1.0	EA
8	T17306	PLAIN WASHER	2.0	EA
9	T13739	PHILIDAS NUT	1.0	EA
10	T101035	CHASSIS LOCK BAR ASSY	1.0	EA
11	T10012	LINCH PIN	2.0	EA
12	T100974	FRONT CHASSIS	1.0	EA
13	T15571	BOLT	2.0	EA
14	T100302	SKIP PAD	2.0	EA
15	T100578	SKIP PAD SPACER 3mm	A/R	EA
	T100303	SKIP PAD SPACER 5mm	A/R	EA
	T100386	SKIP PAD SPACER 10mm	A/R	EA
16	T16506	BOLT	1.0	EA
17	T13910	PHILIDAS NUT	1.0	EA
18	T101185	SKIP PROP PIN	1.0	EA
19	T100963	SKIP PROP	1.0	EA
20	T101269	BOLT	1.0	EA
21	T7695	WASHER	2.0	EA
22	T20320	PHILIDAS NUT	1.0	EA

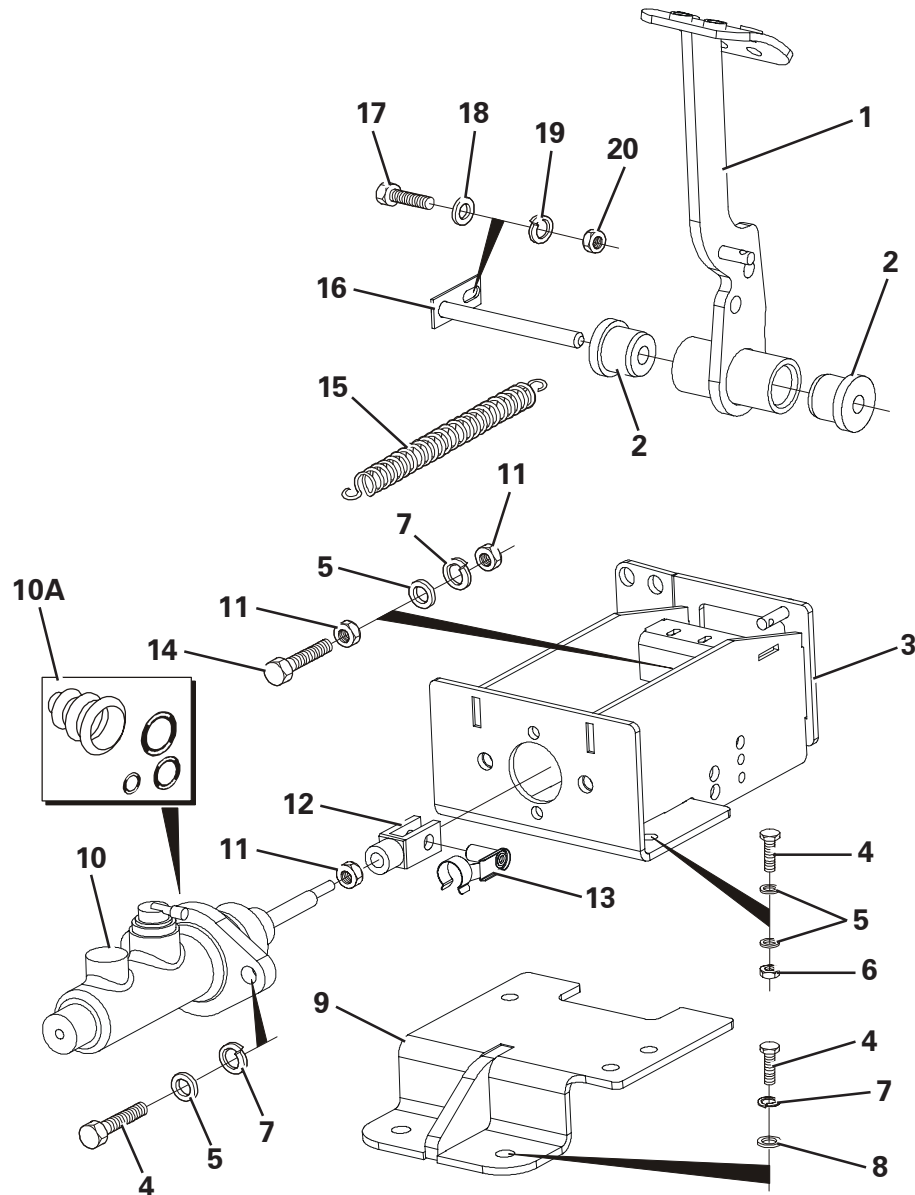
CLUTCH PEDAL ASSEMBLY



Item	Part No.	Description	Qty	U/M
1	T100093	PEDAL	1.0	EA
2	T100110	BUSH	2.0	EA
3	T12694	SET SCREW	2.0	EA
4	T9775	NUT	2.0	EA
5	T100672	CLUTCH PEDAL BRKT	1.0	EA
6	T20618	SET SCREW	4.0	EA
7	T15819	PLAIN WASHER	4.0	EA
8	T13064	NUT	2.0	EA
9	T100984	PEDAL MOUNTING BRKT	1.0	EA
10	T13362	SPRING WASHER	2.0	EA
11	T10734	H/DUTY WASHER	2.0	EA
12	T13321	SET SCREW	2.0	EA
13	T11440	WASHER	2.0	EA
14	T13289	MICRO SWITCH BACKING PLATE	2.0	EA
15	T100223	MICRO SWITCH	1.0	EA
16	T11439	SPRING WASHER	2.0	EA
17	T11447	NUT	2.0	EA
18	T6702	SPLIT PIN	2.0	EA
19	T6951	CLEVIS PIN	2.0	EA
20	T100789	CLUTCH CABLE	1.0	EA
21	T7026	SPRING	1.0	EA
22	T100096	PEDAL SHAFT	1.0	EA
23	T16477	BOLT	1.0	EA
24	T13911	FLAT WASHER	1.0	EA
25	T14837	SPRING WASHER	1.0	EA
26	T10431	NUT	1.0	EA

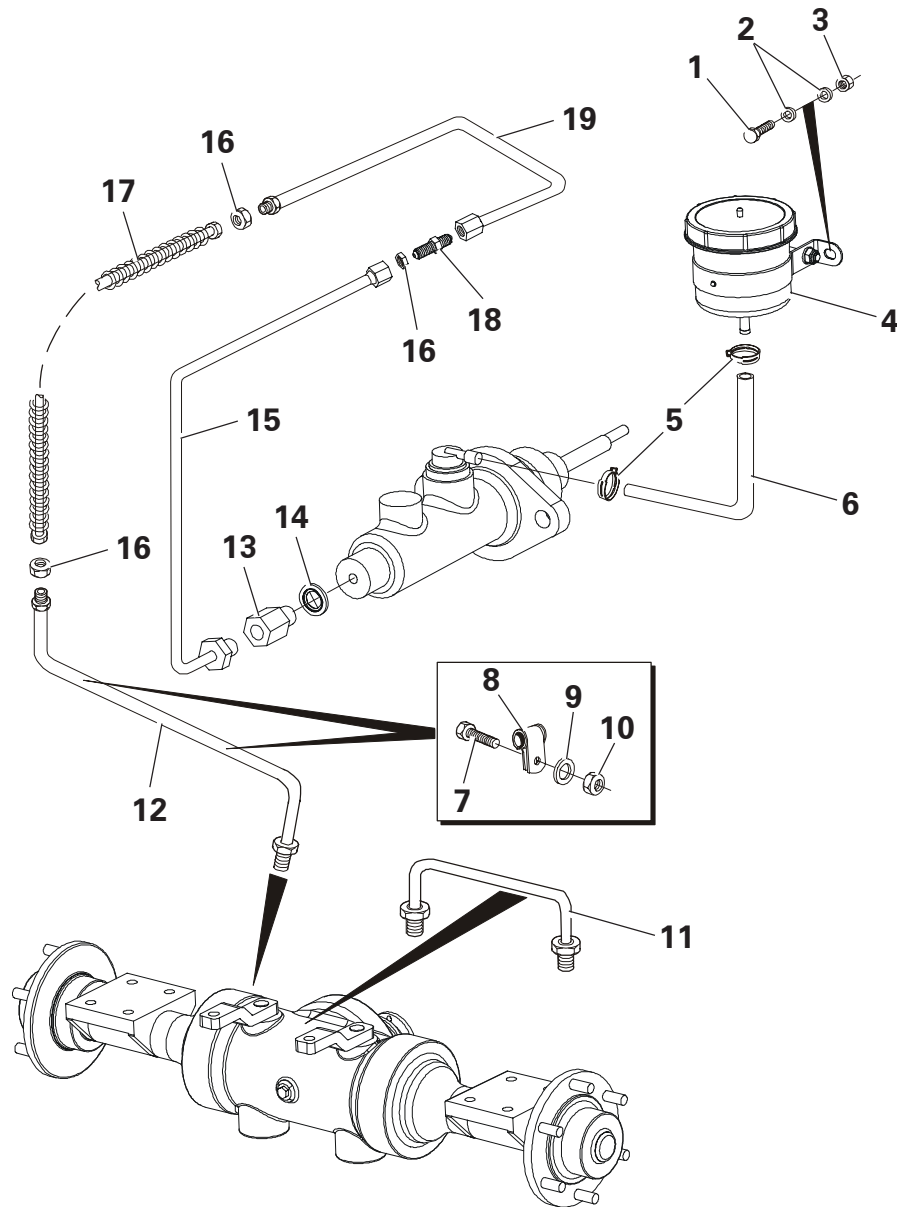
BRAKE PEDAL ASSEMBLY

Item	Part No.	Description	Qty	U/M
1	T100093	PEDAL	1.0	EA
2	T100110	BUSH	2.0	EA
3	T100351	MASTER CYLINDER MTG BRKT	1.0	EA
4	T20618	SET SCREW	6.0	EA
5	T15819	PLAIN WASHER	7.0	EA
6	T13064	NUT	2.0	EA
7	T13362	SPRING WASHER	5.0	EA
8	T10734	H/DUTY WASHER	2.0	EA
9	T100984	PEDAL MOUNTING BRKT	1.0	EA
10	T100399	MASTER CYLINDER (SINGLE)	1.0	EA
10A	T52799	SEAL KIT	1.0	EA
11	T12509	NUT	3.0	EA
12	T100083	FORK END	1.0	EA
13	T100084	SPRING CLEVIS PIN	1.0	EA
14	T7466	SET SCREW	1.0	EA
15	T100318	BRAKE SPRING	1.0	EA
16	T100096	PEDAL SHAFT	1.0	EA
17	T16477	BOLT	1.0	EA
18	T13911	FLAT WASHER	1.0	EA
19	T14837	SPRING WASHER	1.0	EA
20	T10431	NUT	1.0	EA



Brake Pedal Assembly - Phase 3

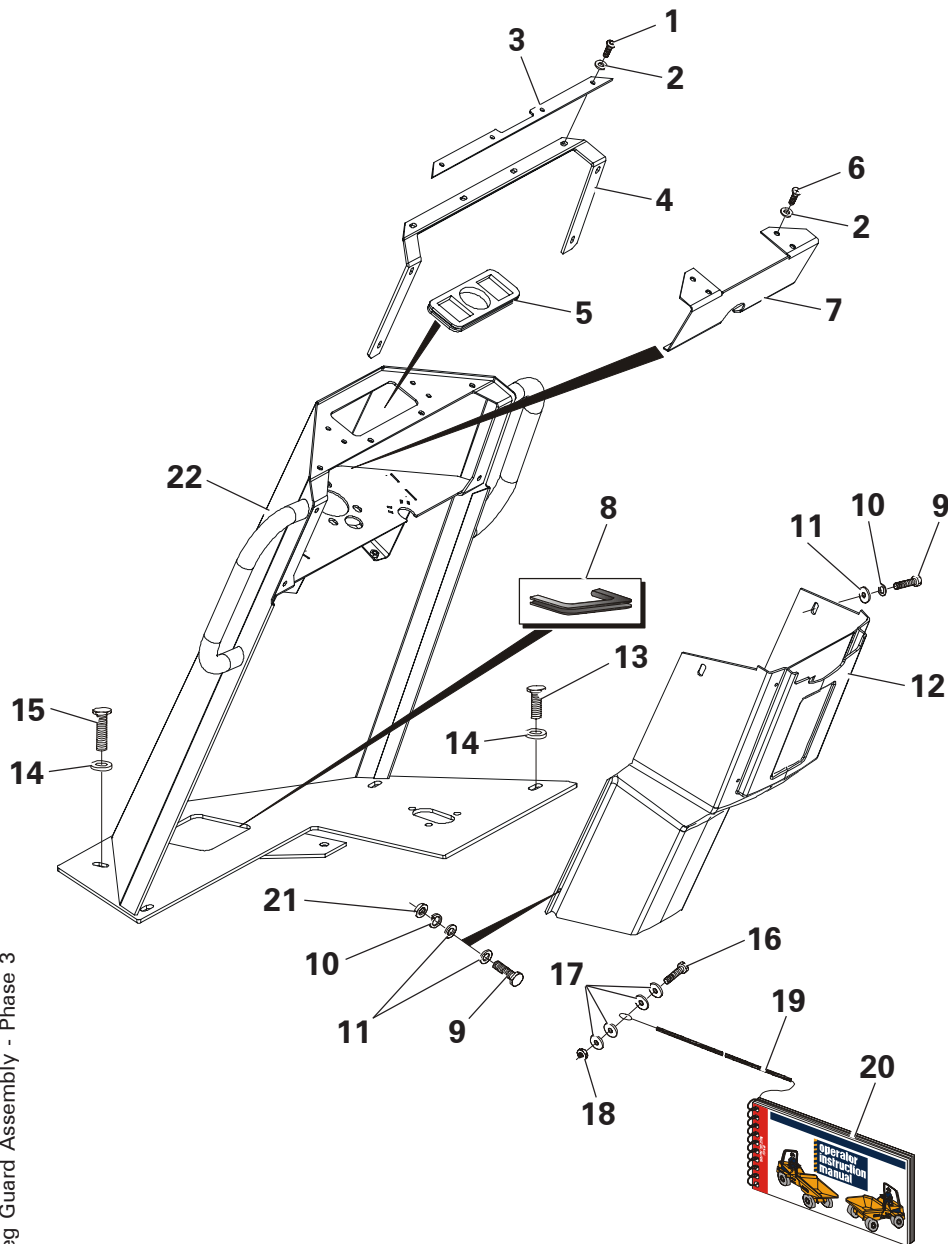
BRAKE CIRCUIT - MANUAL



Item	Part No.	Description	Qty	U/M
1	T10917	SET BOLT	2.0	EA
2	T13911	FLAT WASHER	4.0	EA
3	T16481	NYLOC NUT	2.0	EA
4	T100402	RESERVOIR	1.0	EA
5	T100691	HOSE CLIP	2.0	EA
6	T100747	BRAKE HOSE	1.0	EA
7	T16610	BOLT	2.0	EA
8	T11452	PIPE CLIP	2.0	EA
9	T16612	PLAIN WASHER	2.0	EA
10	T16613	NYLOC NUT	2.0	EA
11	T20929	BRAKE PIPE	1.0	EA
12	T101306	BRAKE PIPE	1.0	EA
13	T100701	ADAPTOR	1.0	EA
14	T10940	HYDRAULIC WASHER	1.0	EA
15	T100702	BRAKE PIPE	1.0	EA
16	T8942	LOCK NUT	3.0	EA
17	T11243	FLEXIBLE BRAKE HOSE	1.0	EA
18	T100697	BRAKE B/H UNION	1.0	EA
19	T101305	BRAKE PIPE	1.0	EA

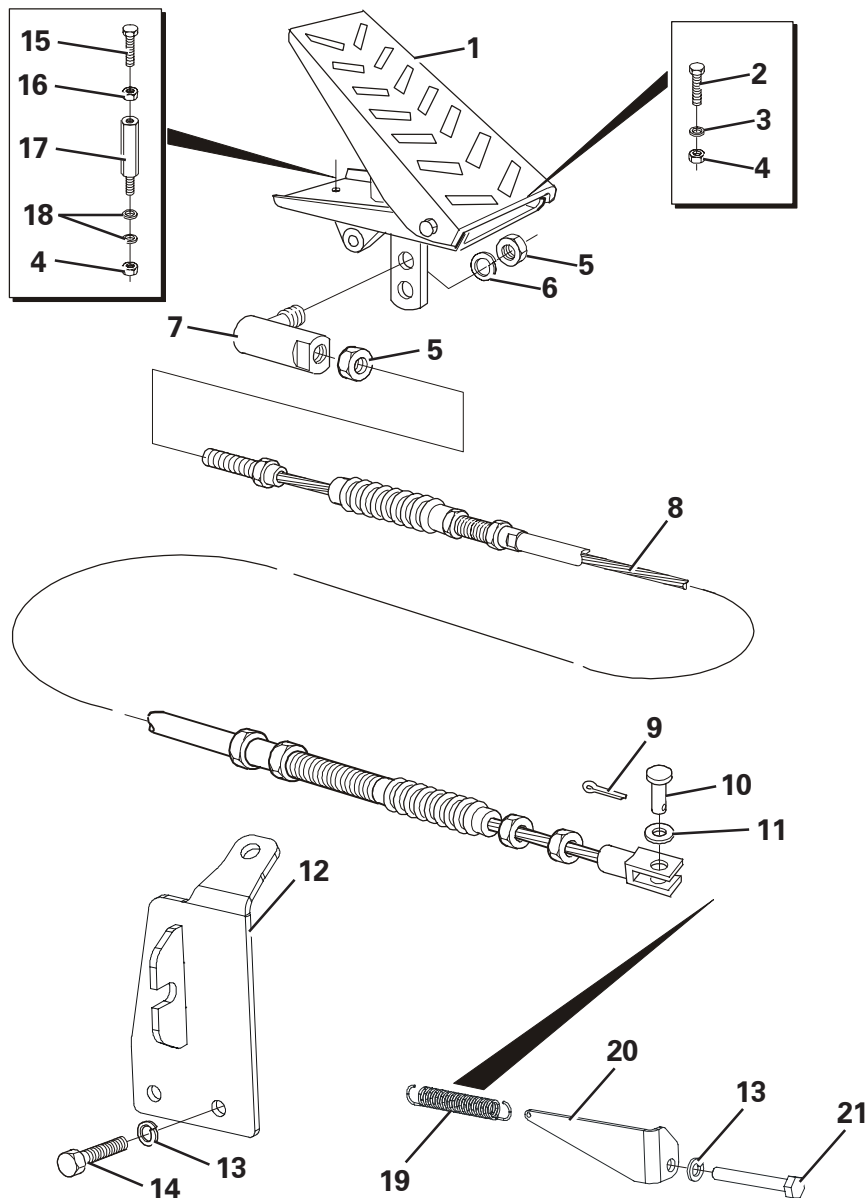
LEG GUARD ASSEMBLY

Item	Part No.	Description	Qty	U/M
1	T100315	SCREW	4.0	EA
2	T13911	FLAT WASHER	8.0	EA
3	T100506	CLAMPING STRIP	1.0	EA
4	T100320	SEALING GASKET	1.0	EA
5	T100300	STEERING COLUMN GROMMET	1.0	EA
6	T16492	DOME HEAD SCREW	4.0	EA
7	T100540	SPLASH GUARD	1.0	EA
8	T52795	E J TRIM	1.0	EA
9	T10917	SET BOLT	4.0	EA
10	T14837	SPRING WASHER	4.0	EA
11	T15830	FLAT WASHER	6.0	EA
12	T100159	INNER LEG GUARD	1.0	EA
13	T20618	SET SCREW	3.0	EA
14	T17184	HEAVY DUTY WASHER	5.0	EA
15	T16505	SET BOLT	2.0	EA
16	T12694	SET SCREW	1.0	EA
17	T9345	WASHER	4.0	EA
18	T13457	NYLOC NUT	1.0	EA
19	T100699	RETAINING CABLE	1.0	EA
20	T0418	OPERATOR MANUAL	1.0	EA
21	T10431	NUT	2.0	EA
22	T101015	LEG GUARD ASSY	1.0	EA



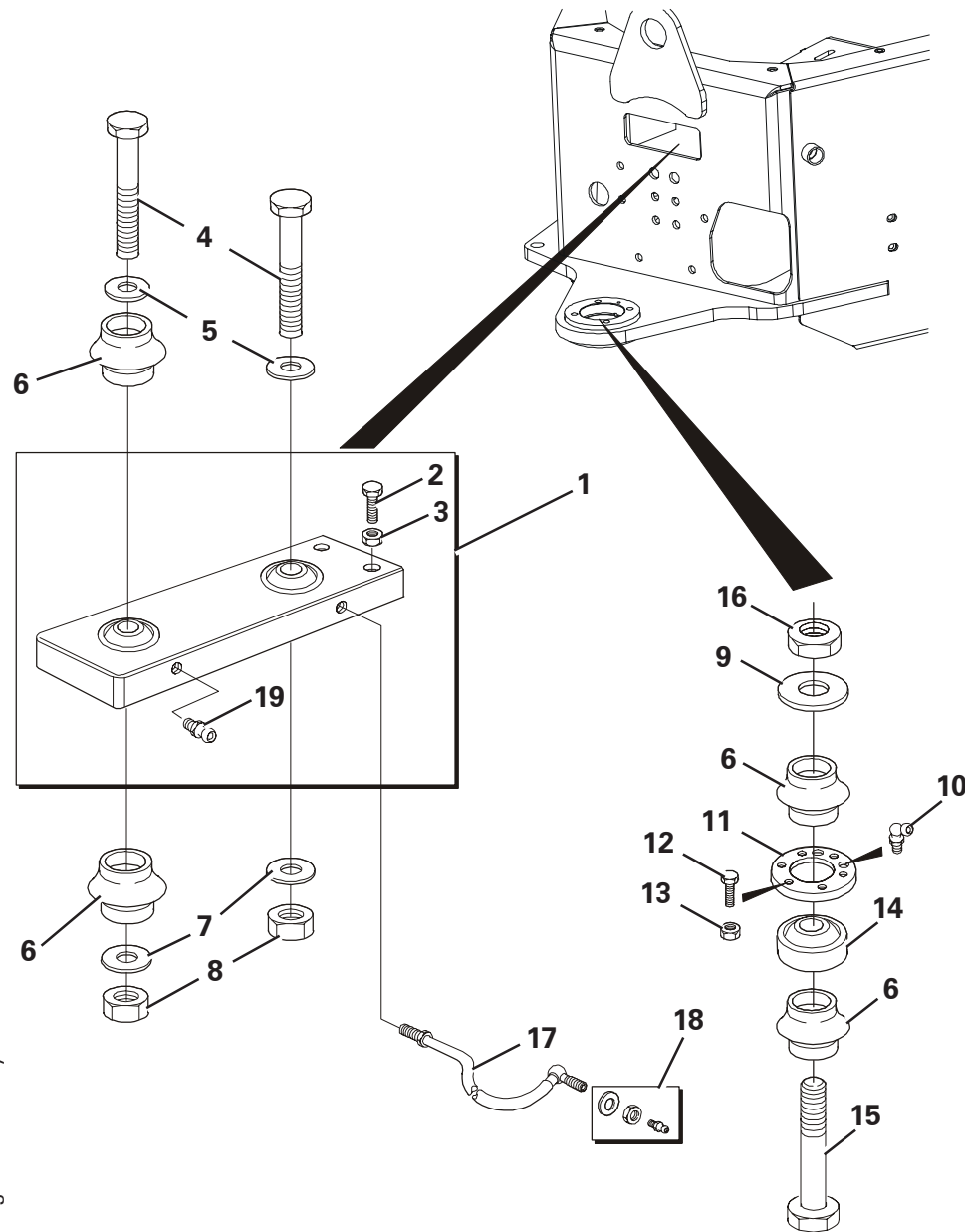
Leg Guard Assembly - Phase 3

THROTTLE ASSEMBLY



Item	Part No.	Description	Qty	U/M
1	T101965	THROTTLE PEDAL	1.0	EA
2	T16477	BOLT	2.0	EA
3	T13911	FLAT WASHER	2.0	EA
4	T16481	NYLOC NUT	3.0	EA
5	T10431	NUT	2.0	EA
6	T14837	SPRING WASHER	1.0	EA
7	T16192	AMEL END	1.0	EA
8	T101785	THROTTLE CABLE	1.0	EA
9	T6744	SPLIT PIN	1.0	EA
10	T6970	ANCHOR PIN	1.0	EA
11	T16612	PLAIN WASHER	1.0	EA
12	T101273	THROTTLE REACTION BRKT	1.0	EA
13	T12972	SPRING WASHER	3.0	EA
14	T7465	SET SCREW	2.0	EA
15	T14152	BOLT	1.0	EA
16	T9775	NUT	1.0	EA
17	T101032	THROTTLE STOP	1.0	EA
18	T15830	FLAT WASHER	2.0	EA
19	T18452	SPRING	1.0	EA
20	T101768	THROTTLE SPRING BRKT	1.0	EA
21	T17157	BOLT	1.0	EA

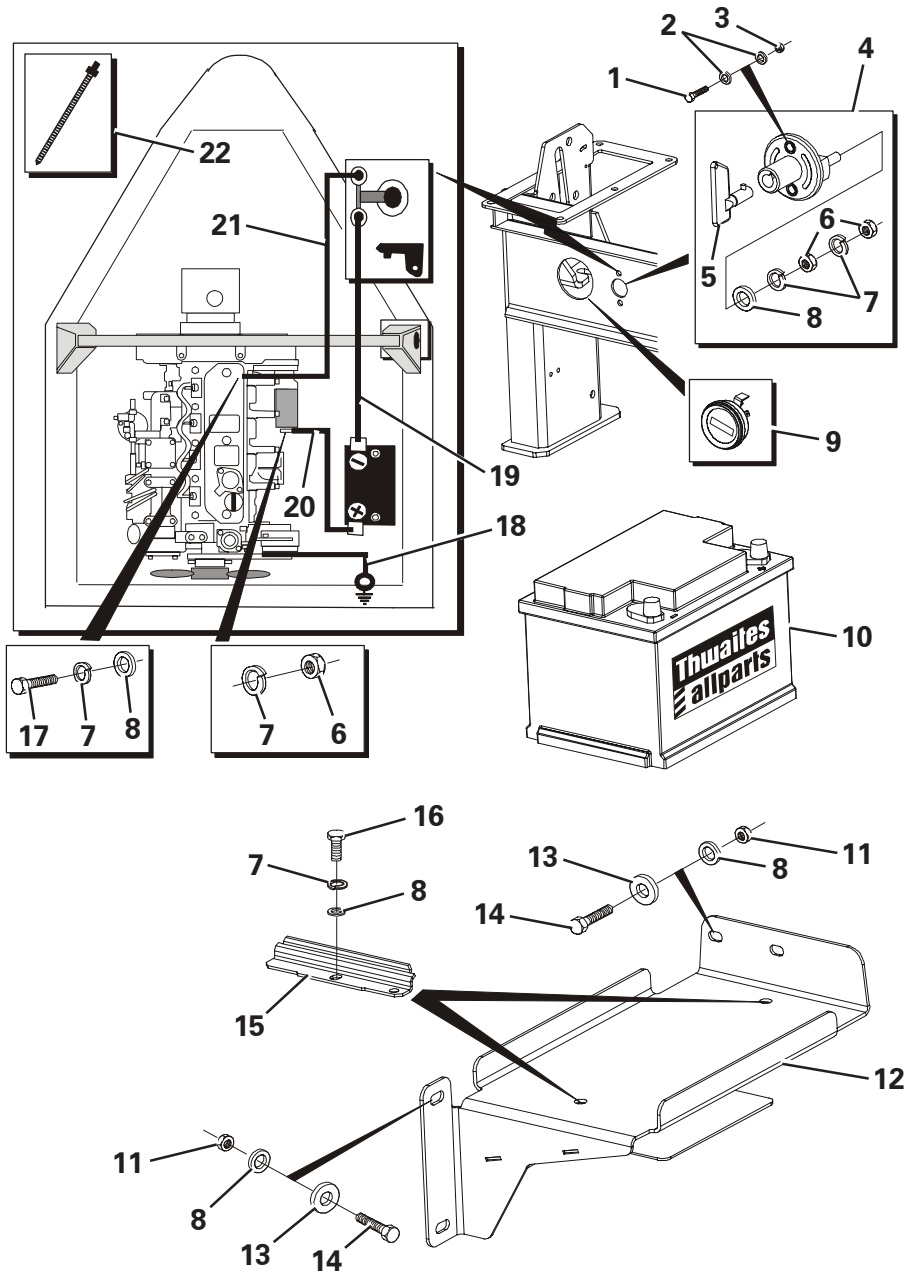
KINGLINK ASSEMBLY



Item	Part No.	Description	Qty	U/M
1	T52796	KINGLINK ASSEMBLY	1.0	EA
2	T16505	SET BOLT	2.0	EA
3	T12509	NUT	2.0	EA
4	T100593	TOP PIVOT BOLT	2.0	EA
5	T6768	WASHER	2.0	EA
6	T10160	RUBBER DUST SEAL	4.0	EA
7	T11811	WASHER	2.0	EA
8	T10143	NUT	2.0	EA
9	T7695	WASHER	1.0	EA
10	T16588	GREASE NIPPLE	1.0	EA
11	T100527	LOWER BEARING CAP	1.0	EA
12	T101725	BOLT	4.0	EA
13	T101724	NYLOC NUT	4.0	EA
14	T100268	SPHERICAL BEARING	1.0	EA
15	T101037	BOTTOM PIVOT PIN	1.0	EA
16	T10331	LOCKNUT	1.0	EA
17	T100727	GREASE PIPE	1.0	EA
18	T100390	GREASE NIPPLE ASSEMBLY	1.0	EA
19	T16586	GREASE NIPPLE	1.0	EA

Kinglink Assembly - Phase 2

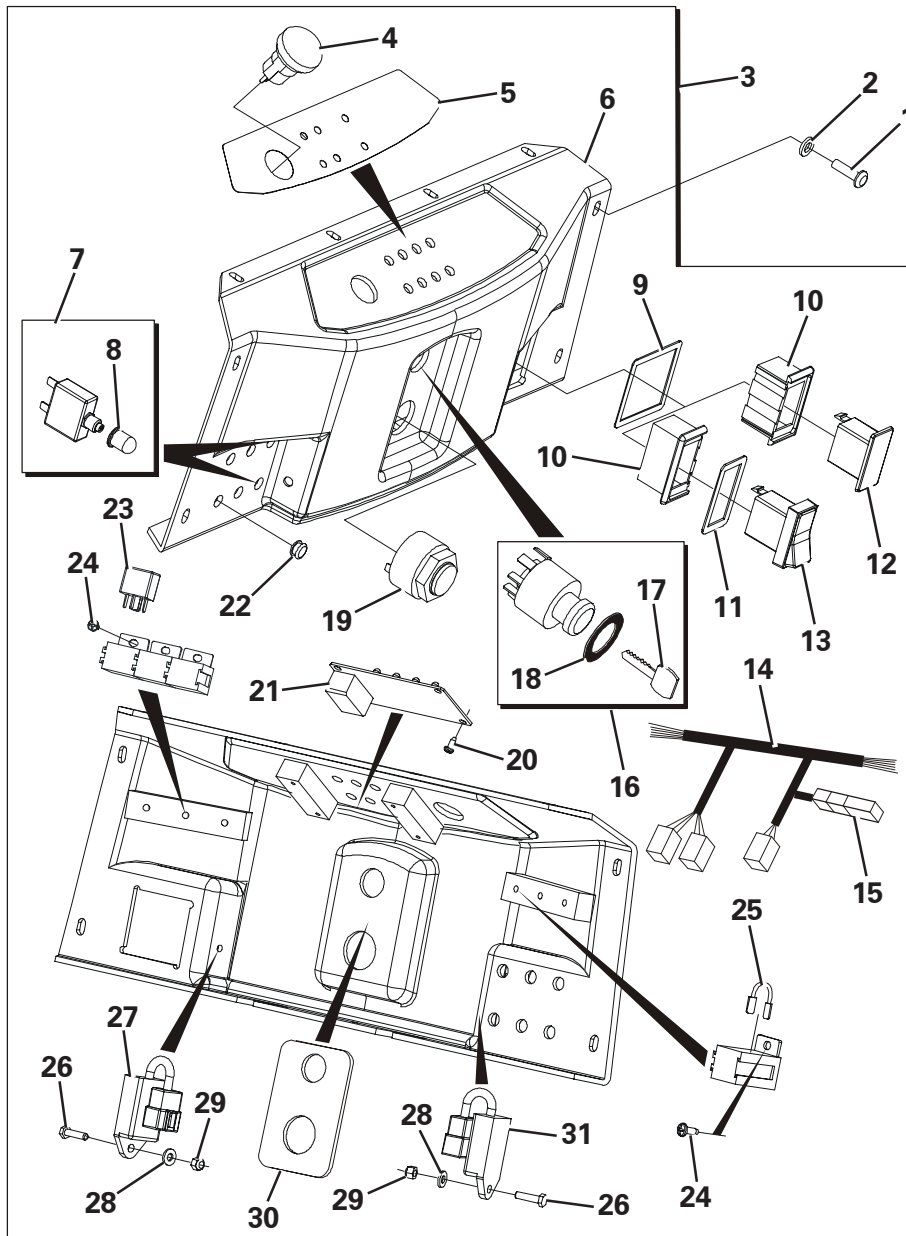
BATTERY BOX ASSEMBLY



Item	Part No.	Description	Qty	U/M
1	T16611	SCREW	2.0	EA
2	T16612	PLAIN WASHER	4.0	EA
3	T16613	NYLOC NUT	2.0	EA
4	T20846	BATTERY ISOLATOR SWITCH	1.0	EA
5	T52600	KEY	1.0	EA
6	T9775	NUT	5.0	EA
7	T12972	SPRING WASHER	8.0	EA
8	T12973	PLAIN WASHER	9.0	EA
9	T16538	HOURMETER	1.0	EA
10	T100967	BATTERY	1.0	EA
11	T13457	NYLOC NUT	4.0	EA
12	T100992	BATTERY TRAY	1.0	EA
13	T9345	WASHER	4.0	EA
14	T12694	SET SCREW	4.0	EA
15*	T102877	BATTERY CLAMP	2.0	EA
16	T7465	SET SCREW	2.0	EA
17	T11673	SET BOLT	1.0	EA
18	T100665	EARTH LEAD	1.0	EA
19	T101279	BATTERY NEGATIVE CABLE	1.0	EA
20	T101278	BATTERY POSITIVE CABLE	1.0	EA
21	T101280	ISOLATOR CABLE	1.0	EA
22	T9164	NYLON CLIPS	A/R	EA

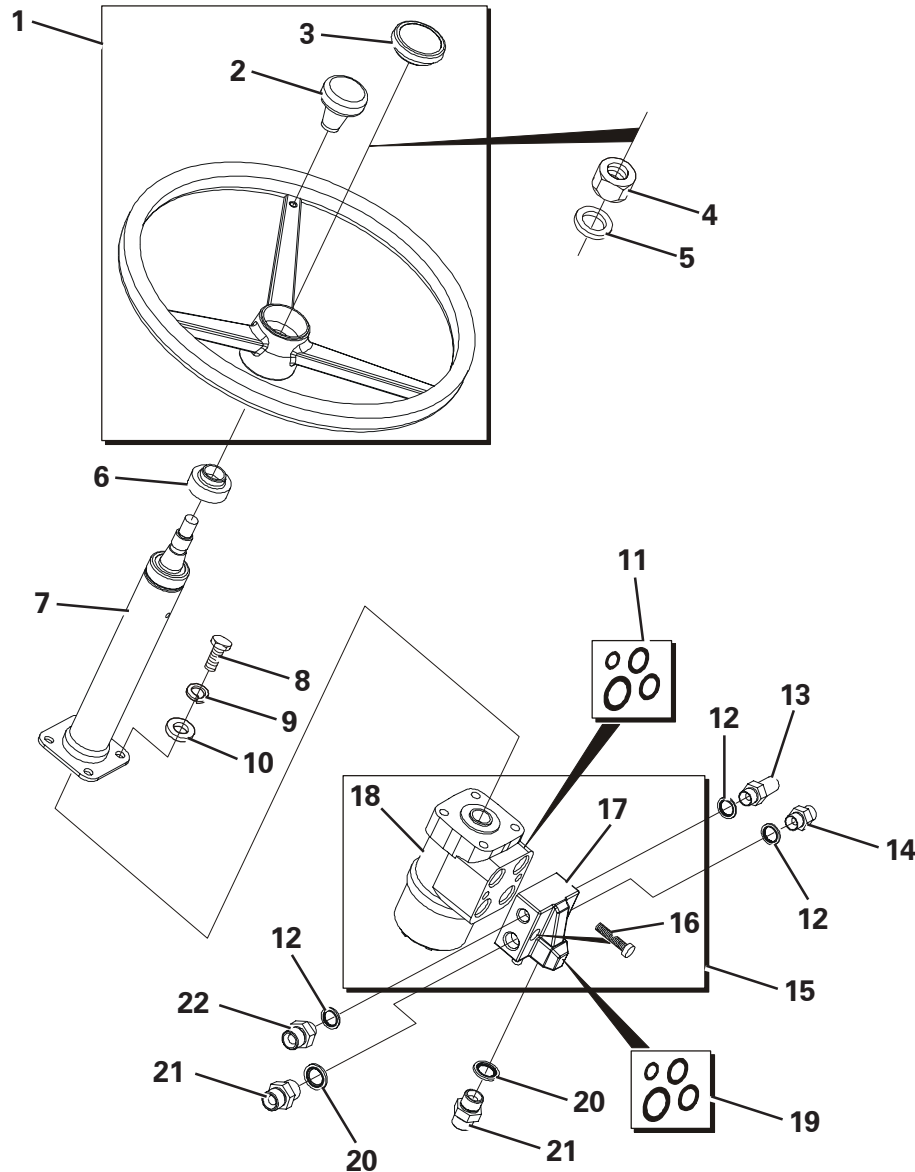
DASH PANEL ASSEMBLY

Item	Part No.	Description	Qty	U/M
1	T100315	DOME HEAD SCREW	4.0	EA
2	T13911	WASHER	4.0	EA
3*	T102849	DASH PANEL ASSY	1.0	EA
4	T52302	HORN PUSH	1.0	EA
5	T100635	CONSOLE DECAL	1.0	EA
6*	T102491	DASH PANEL	1.0	EA
7*	T102845	CIRCUIT BREAKER 18AMP	2.0	EA
8*	T102846	CIRCUIT BREAKER SPLASHGUARD	2.0	EA
9	T52448	MOUNTING PANEL GASKET	1.0	EA
10	T52446	SWITCH MOUNTING PANEL	2.0	EA
11	T52304	SWITCH BLANK SEAL	1.0	EA
12	T52303	SWITCH BLANK	1.0	EA
13	T52445	BEACON SWITCH	1.0	EA
14	T101760	PANEL HARNESS	1.0	EA
15	T52724	DIODE	1.0	EA
16	T52307	IGNITION SWITCH	1.0	EA
17	T50479	STARTER SWITCH KEY	1.0	EA
18	T52311	INDEX PLATE	1.0	EA
19	T100902	BUZZER	1.0	EA
20	T101135	SCREW	4.0	EA
21	T101128	LED MODULE	1.0	EA
22	T52447	BLANKING GROMMET	4.0	EA
23	T101129	RELAY	1.0	EA
24	T101134	SCREW	4.0	EA
25	T101138	DASH PANEL LINK WIRE	1.0	EA
26	T16611	CHEESE HEAD SCREW	2.0	EA
27	T52726	STOP SOLENOID - TIMER	1.0	EA
28	T16612	WASHER	2.0	EA
29	T16613	NYLOC NUT	2.0	EA
30	T101778	IGNITION SWITCH BACKING PLATE	1.0	EA
31	T52725	GLOW PLUG - TIMER	1.0	EA



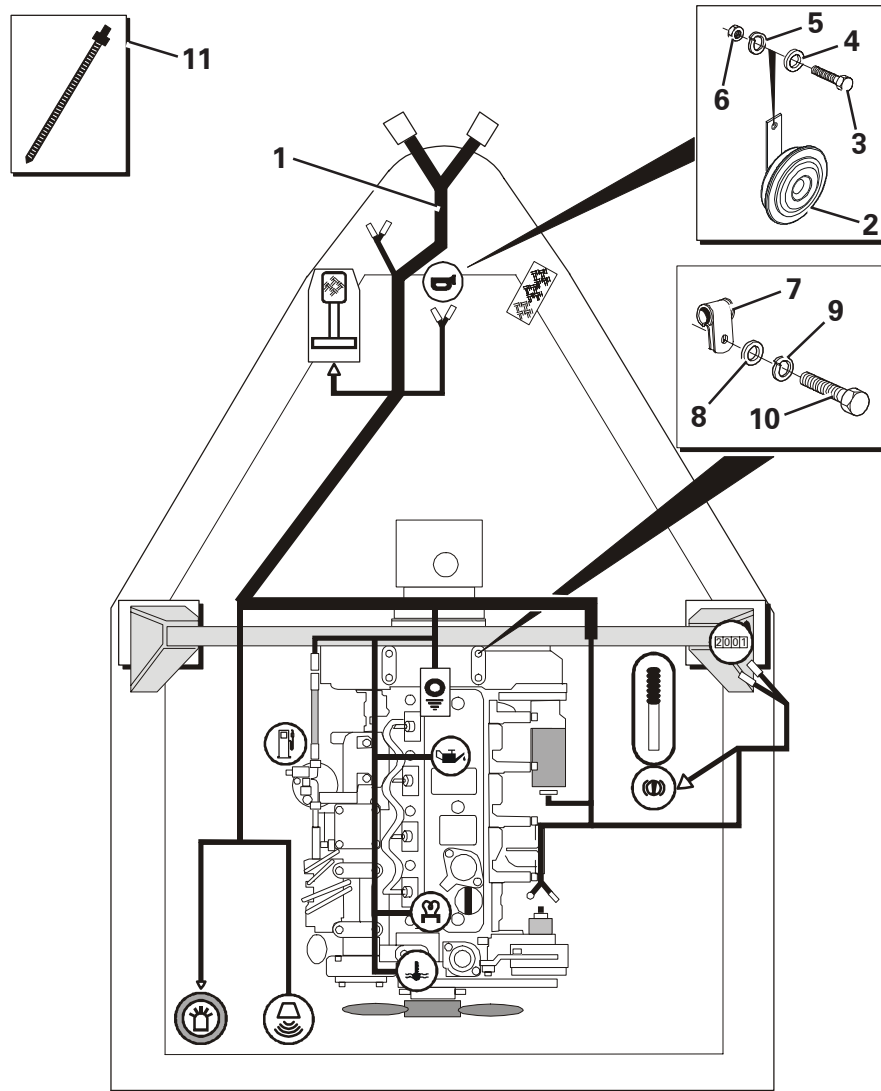
Dash Panel Assembly - Manual - Tier 2

STEERING ASSEMBLY



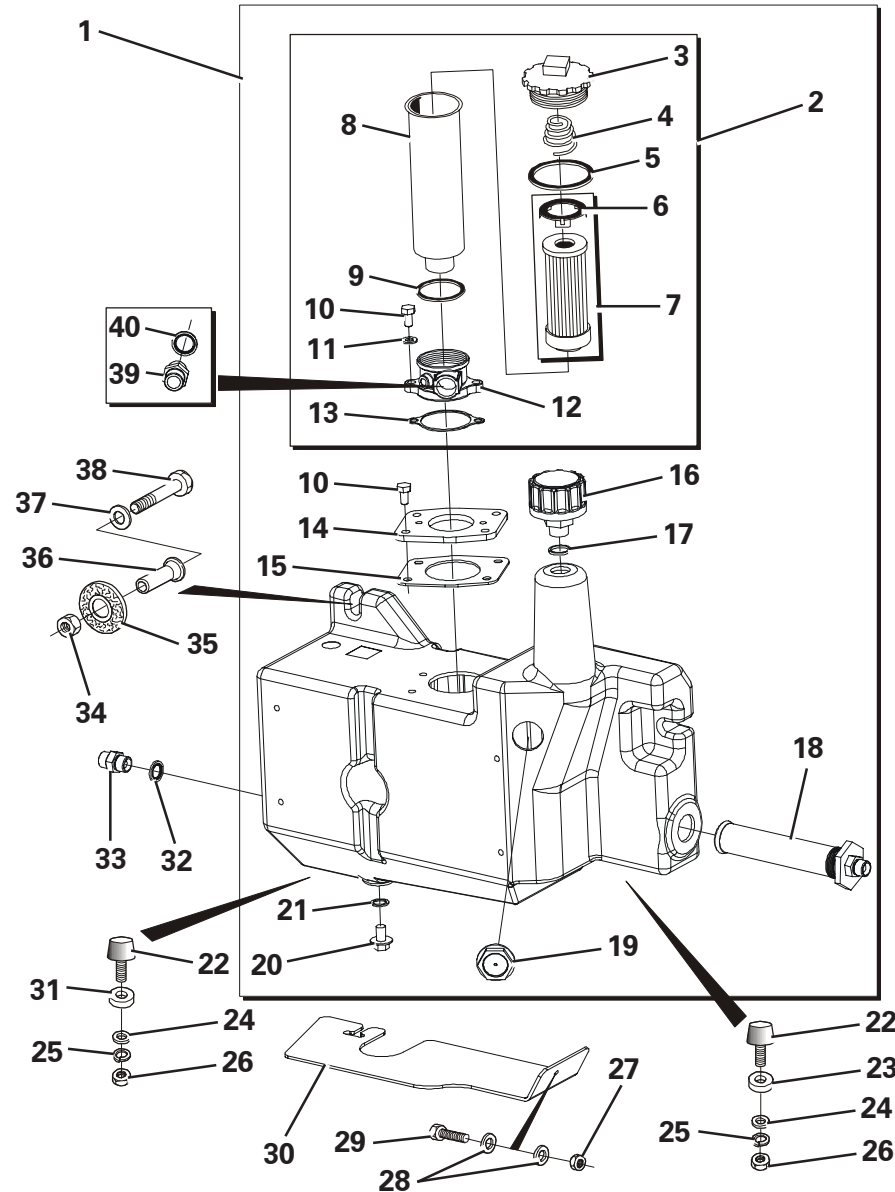
Item	Part No.	Description	Qty	U/M
1	T100496	STEERING WHEEL & CAP	1.0	EA
2	T52520	SPINNER KNOB	1.0	EA
3	T50541	CENTRE CAP	1.0	EA
4	T100690	NYLOC NUT	1.0	EA
5	T6765	WASHER	1.0	EA
6	T52517	END CAP	1.0	EA
7	T100015	STEERING COLUMN	1.0	EA
8	T7466	SET SCREW	4.0	EA
9	T13362	SPRING WASHER	4.0	EA
10	T15819	PLAIN WASHER	4.0	EA
11	T51661	SEAL KIT	1.0	EA
12	T5637	BONDED SEAL	3.0	EA
13	T100392	ADAPTOR	1.0	EA
14	T13606	ADAPTOR	1.0	EA
15	T18781	STEERING/PRIORITY VALVE	1.0	EA
16	T52378	SCREWS	2.0	EA
17	T18602	PRIORITY VALVE	1.0	EA
18	T18601	STEERING VALVE	1.0	EA
19	T51662	SEAL KIT	1.0	EA
20	T5596	HYDRAULIC SEAL	2.0	EA
21	T13936	ADAPTOR	2.0	EA
22	T11165	ADAPTOR	1.0	EA

ENGINE HARNESS



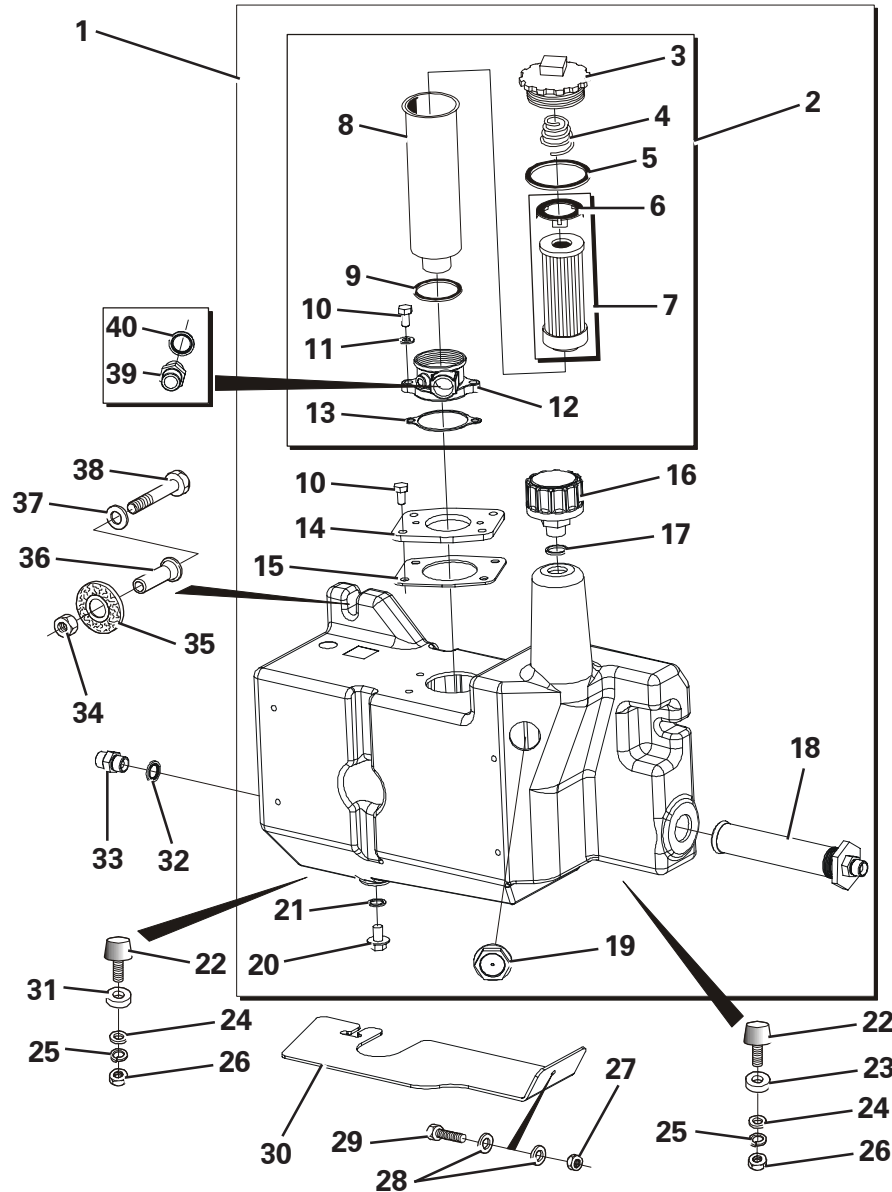
Item	Part No.	Description	Qty	U/M
1	T101810	ENGINE HARNESS	1.0	EA
2	T100017	HORN	1.0	EA
3	T10917	SET BOLT	1.0	EA
4	T13911	FLAT WASHER	1.0	EA
5	T14837	SPRING WASHER	1.0	EA
6	T10431	NUT	1.0	EA
7	T9914	HOSE CLIP	1.0	EA
8	T10734	H/DUTY WASHER	1.0	EA
9	T13362	SPRING WASHER	1.0	EA
10	T7466	SET SCREW	1.0	EA
11	T9164	NYLON CLIPS	A/R	EA

HYDRAULIC TANK ASSEMBLY



Item	Part No.	Description	Qty	U/M
1	T101083	HYD TANK ASSY	1.0	EA
2	T101097	FILLER/FILTER	1.0	EA
3	T52624	CAP	1.0	EA
4	T52625	SPRING	1.0	EA
5	T52626	SEAL	1.0	EA
6	T52627	FILTER CLIP	1.0	EA
7	T52286	HYDRAULIC ELEMENT	1.0	EA
8	T52628	LOWER CASING	1.0	EA
9	T52629	SEAL	1.0	EA
10	T52598	FIXING BOLT	6.0	EA
11	T15819	PLAIN WASHER	2.0	EA
12	T53135	FILTER HEAD	1.0	EA
13	T53113	GASKET	1.0	EA
14	T101084	FILTER SEALING PLATE	1.0	EA
15	T52495	FILTER SEALING GASKET	1.0	EA
16	T52496	FILLER / BREATHER	1.0	EA
17	T5594	HYD SEAL	1.0	EA
18	T101240	SUCTION STRAINER	1.0	EA
19	T101085	LEVEL INDICATOR	1.0	EA
20	T52282	DRAIN PLUG	1.0	EA

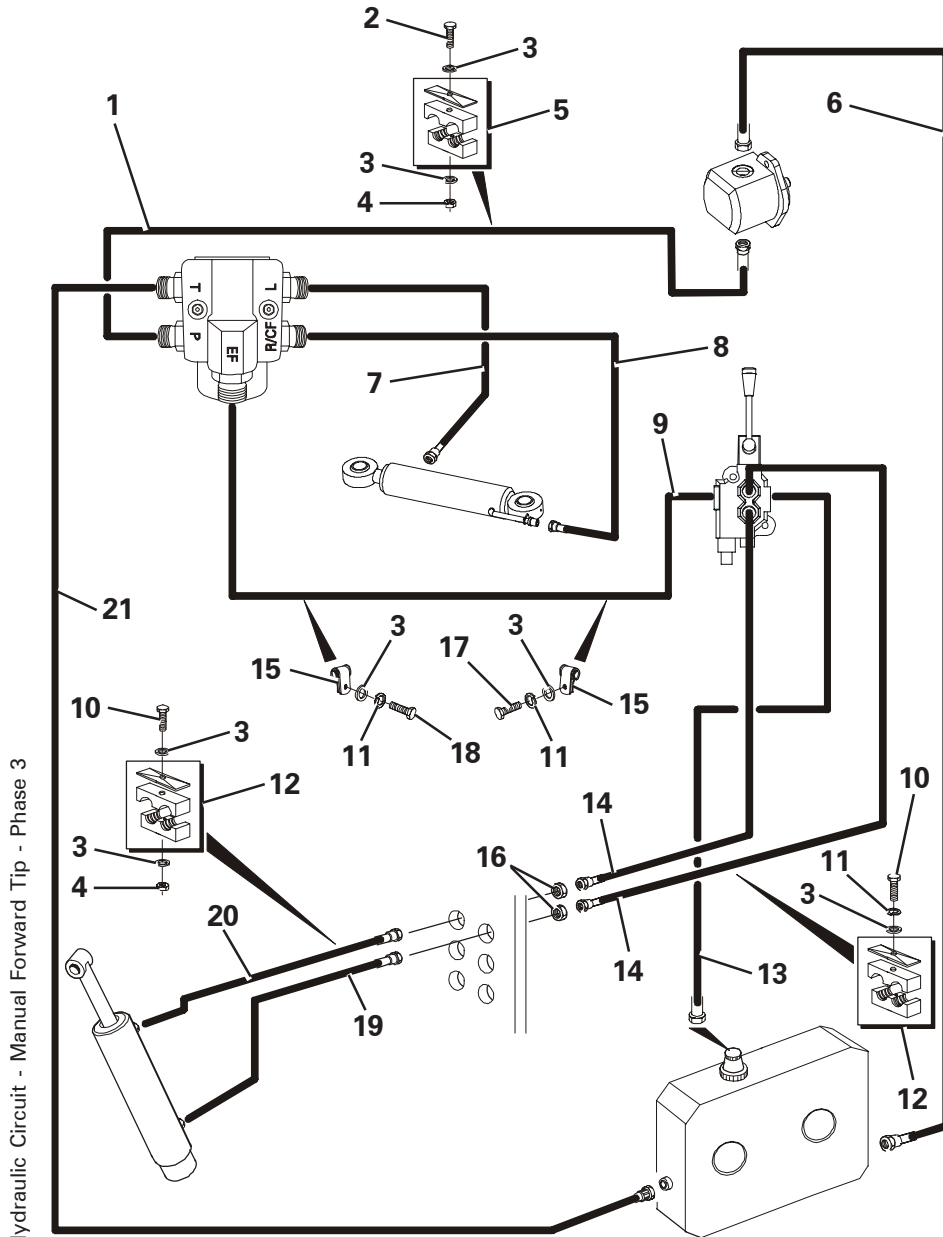
HYDRAULIC TANK ASSEMBLY



Item	Part No.	Description	Qty	U/M
21	T52588	FIBRE WASHER	1.0	EA
22	T100214	RUBBER BUFFER	2.0	EA
23	T101168	TANK MOUNTING SPACER	1.0	EA
24	T9345	WASHER	2.0	EA
25	T12972	SPRING WASHER	2.0	EA
26	T9775	NUT	2.0	EA
27	T16481	NYLOC NUT	1.0	EA
28	T13911	FLAT WASHER	2.0	EA
29	T16476	SET BOLT	1.0	EA
30	T101381	HYDRAULIC TANK GUARD	1.0	EA
31	T101383	TANK MOUNTING SPACER	1.0	EA
32	T5596	HYDRAULIC SEAL	1.0	EA
33	T13936	ADAPTOR	1.0	EA
34	T13064	NUT	2.0	EA
35	T100323	RUBBER BACKED WASHER	2.0	EA
36	T100372	TANK SPACER	2.0	EA
37	T10734	H/DUTY WASHER	2.0	EA
38	T17963	BOLT	2.0	EA
39	T8014	ADAPTOR	1.0	EA
40	T5594	HYD SEAL	1.0	EA

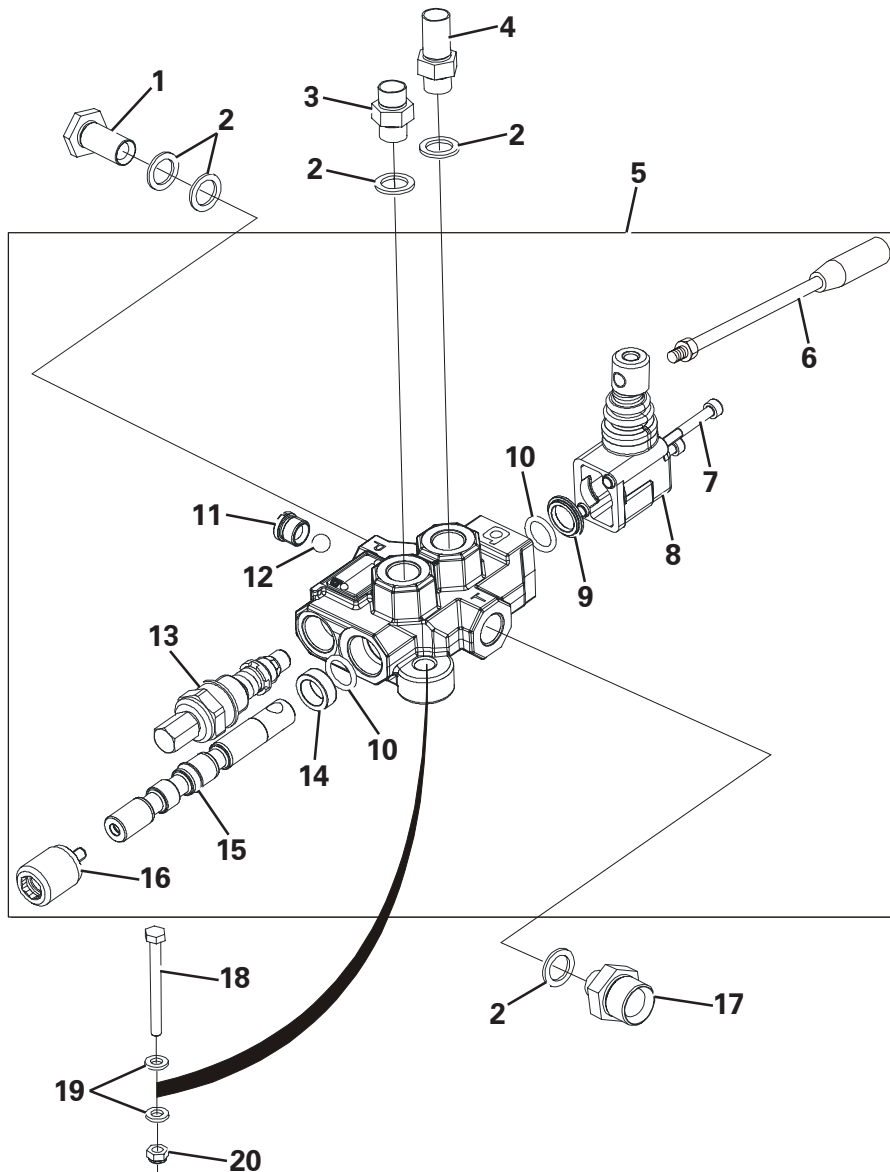
HYDRAULIC CIRCUIT - CONTROLS

Item	Part No.	Description	Qty	U/M
1	T101212	HOSE	1.0	EA
2	T17157	BOLT	1.0	EA
3	T12973	WASHER	7.0	EA
4	T13457	NYLOC NUT	2.0	EA
5	T101389	PIPE CLAMP	1.0	EA
6	T101211	HOSE	1.0	EA
7	T101276	HOSE	1.0	EA
8	T101214	HOSE	1.0	EA
9	T101225	HOSE	1.0	EA
10	T100353	BOLT	2.0	EA
11	T12972	SPRING WASHER	3.0	EA
12	T100564	PIPE CLAMP	2.0	EA
13	T101226	HOSE	1.0	EA
14	T101216	HOSE	2.0	EA
15	T9914	HOSE CLIP	2.0	EA
16	T7882	LOCKNUT	2.0	EA
17	T7465	SCREW	1.0	EA
18	T11673	BOLT	1.0	EA
19	T101221	HOSE	1.0	EA
20	T101222	HOSE	1.0	EA
21	T101215	HOSE	1.0	EA



Hydraulic Circuit - Manual Forward Tip - Phase 3

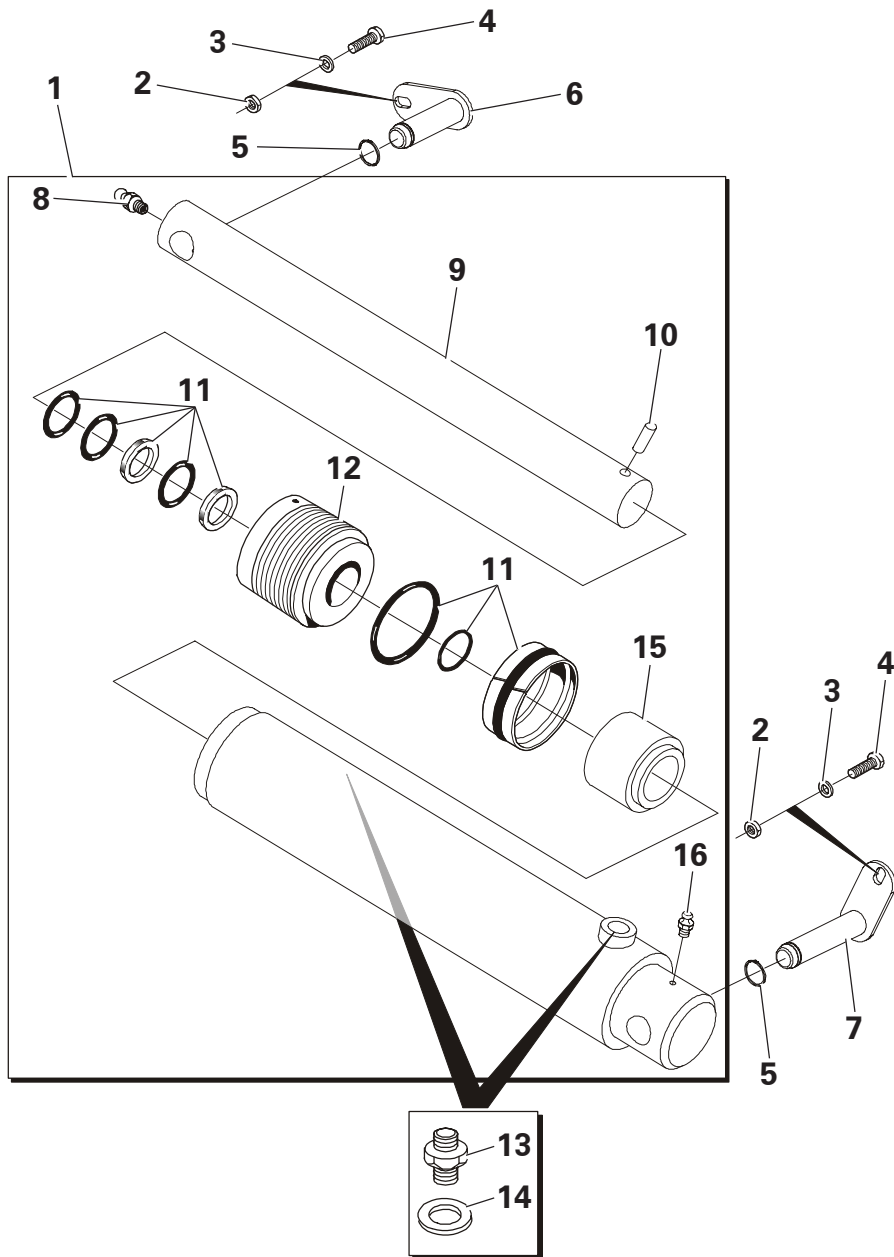
TIPPING VALVE ASSEMBLY



Item	Part No.	Description	Qty	U/M
1	T52793	BANJO BOLT	1.0	EA
2	T5637	DOWTY WASHER	5.0	EA
3	T13606	ADAPTOR	1.0	EA
4	T100392	ADAPTOR	1.0	EA
5	T101114	TIPPING VALVE	1.0	EA
6	T53313	LEVER	1.0	EA
7	T53312	SOCKET SCREW	2.0	EA
8	T53311	LEVER ASSEMBLY	1.0	EA
9	T53306	FLANGED WASHER	1.0	EA
10	T53304	SEAL	2.0	EA
11	T53309	CHECK VALVE	1.0	EA
12	T53310	BALL	1.0	EA
13	T52674	VALVE	1.0	EA
14	T53305	SPACER	1.0	EA
15	T53307	SPOOL	1.0	EA
16	T53308	POSITIONER	1.0	EA
17	T101242	ADAPTOR	1.0	EA
18	T14277	BOLT	2.0	EA
19	T13911	WASHER	4.0	EA
20	T16481	NYLOC NUT	2.0	EA

Tipping Valve Assembly

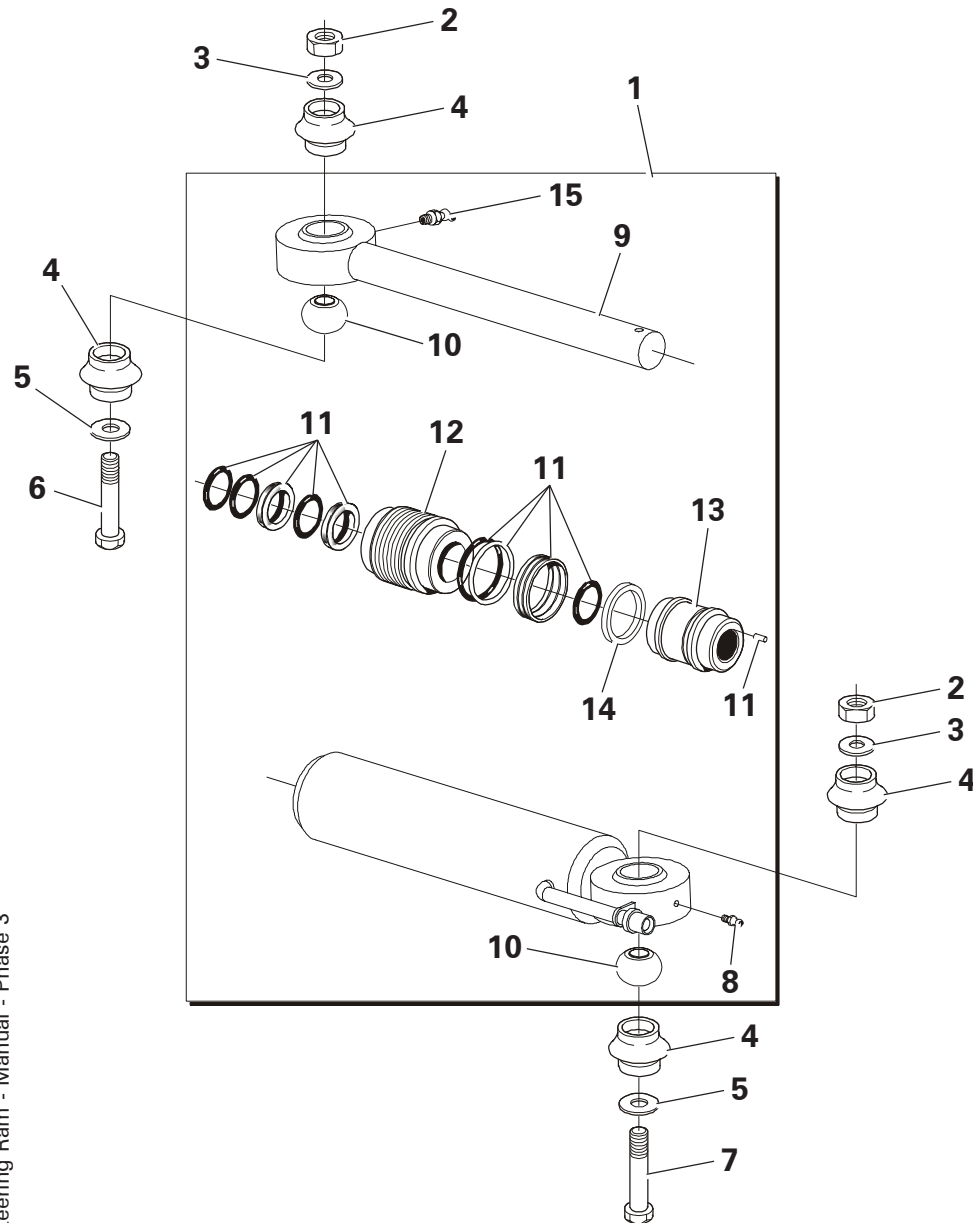
TIPPING RAM ASSEMBLY



Item	Part No.	Description	Qty	U/M
1*	T102155	TIPPING RAM	1.0	EA
2	T13064	NUT	2.0	EA
3	T10734	HEAVY DUTY WASHER	2.0	EA
4	T16505	SET BOLT	2.0	EA
5	T17301	CIRCLIP	2.0	EA
6	T100994	PIVOT PIN	1.0	EA
7	T100993	RAM PIN LOWER	1.0	EA
8*	T53445	GREASE NIPPLE	1.0	EA
9*	T53504	ROD ASSEMBLY	1.0	EA
10*	T53505	GRUB SCREW	1.0	EA
11*	T53485	SEAL KIT	1.0	EA
12*	T53482	GLAND	1.0	EA
13	T13606	ADAPTOR	2.0	EA
14	T5637	BONDED SEAL	2.0	EA
15*	T53483	PISTON HEAD	1.0	EA
16*	T53489	GREASE NIPPLE	1.0	EA

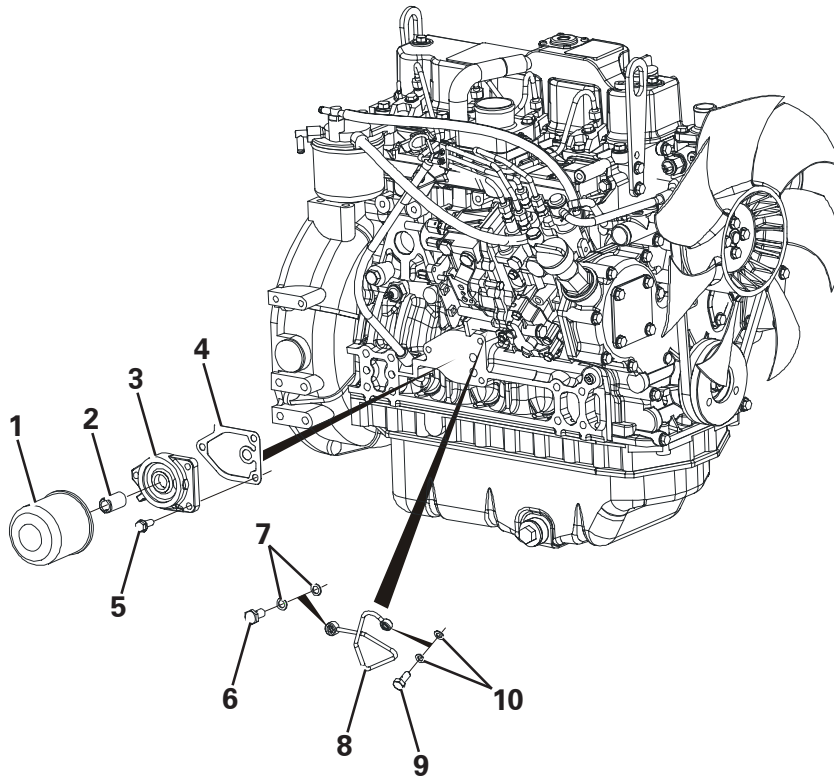
STEERING RAM ASSEMBLY

Item	Part No.	Description	Qty	U/M
1*	T102156	STEERING RAM	1.0	EA
2	T10331	LOCKNUT	2.0	EA
3	T7695	WASHER	2.0	EA
4	T101038	RAM DUST SEAL	4.0	EA
5	T8327	WASHER	2.0	EA
6	T101119	PIVOT BOLT	1.0	EA
7	T101311	PIVOT BOLT	1.0	EA
8*	T53477	GREASE NIPPLE	1.0	EA
9*	T53486	ROD ASSEMBLY	1.0	EA
10*	T53379	SPHERICAL BEARING	2.0	EA
11*	T53384	SEAL KIT	1.0	EA
12*	T53385	GLAND	1.0	EA
13*	T53386	PISTON HEAD	1.0	EA
14*	T53487	SPACER	1.0	EA
15*	T53406	GREASE NIPPLE	1.0	EA

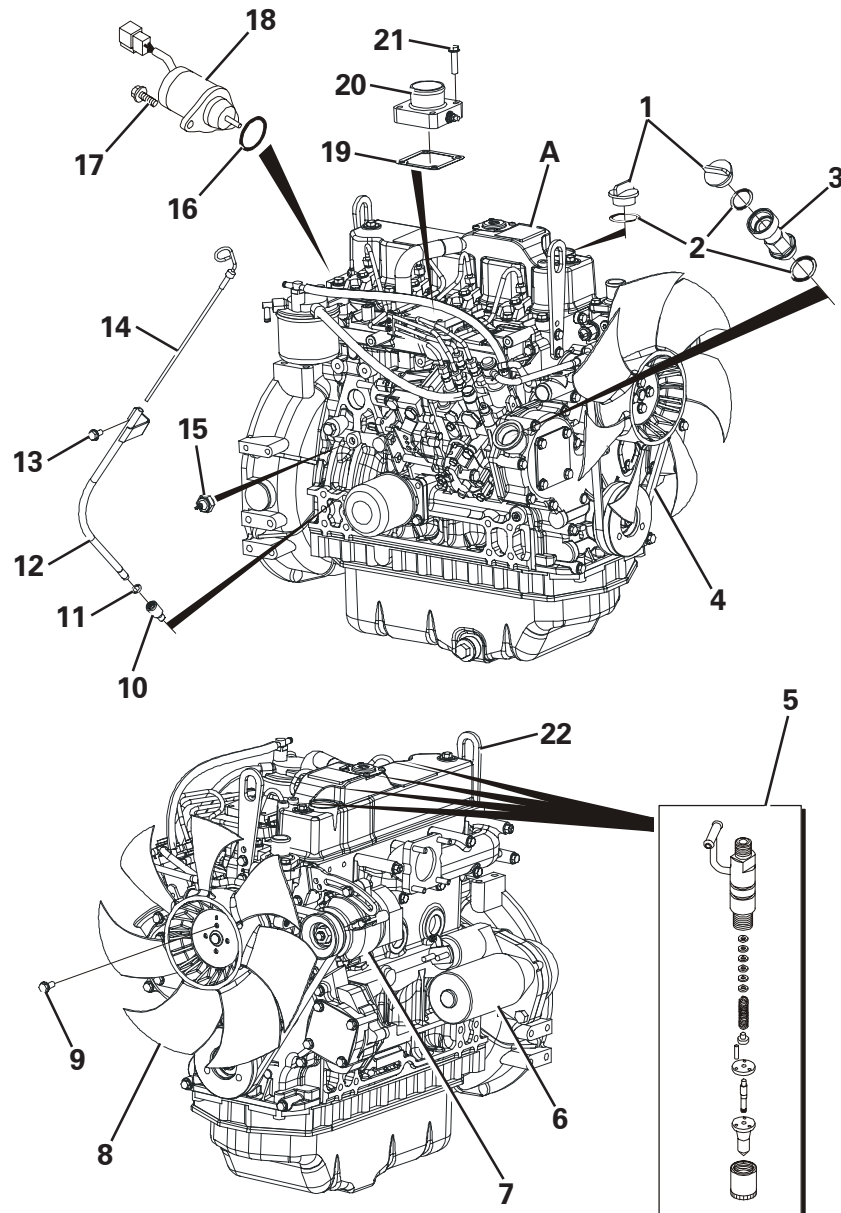


ENGINE - OIL FILTER ASSEMBLY

Item	Part No.	Description	Qty	U/M
1	T53281	OIL FILTER	1.0	EA
2	T52865	STUD	1.0	EA
3	T53317	BRACKET FILTER	1.0	EA
4	T53046	GASKET	1.0	EA
5	T53043	BOLT	3.0	EA
6	T53038	BOLT	1.0	EA
7	T53039	WASHER	2.0	EA
8	T53318	PIPE ASSEMBLY LUB OIL	1.0	EA
9	T53319	JOINT BOLT	1.0	EA
10	T53041	WASHER	2.0	EA



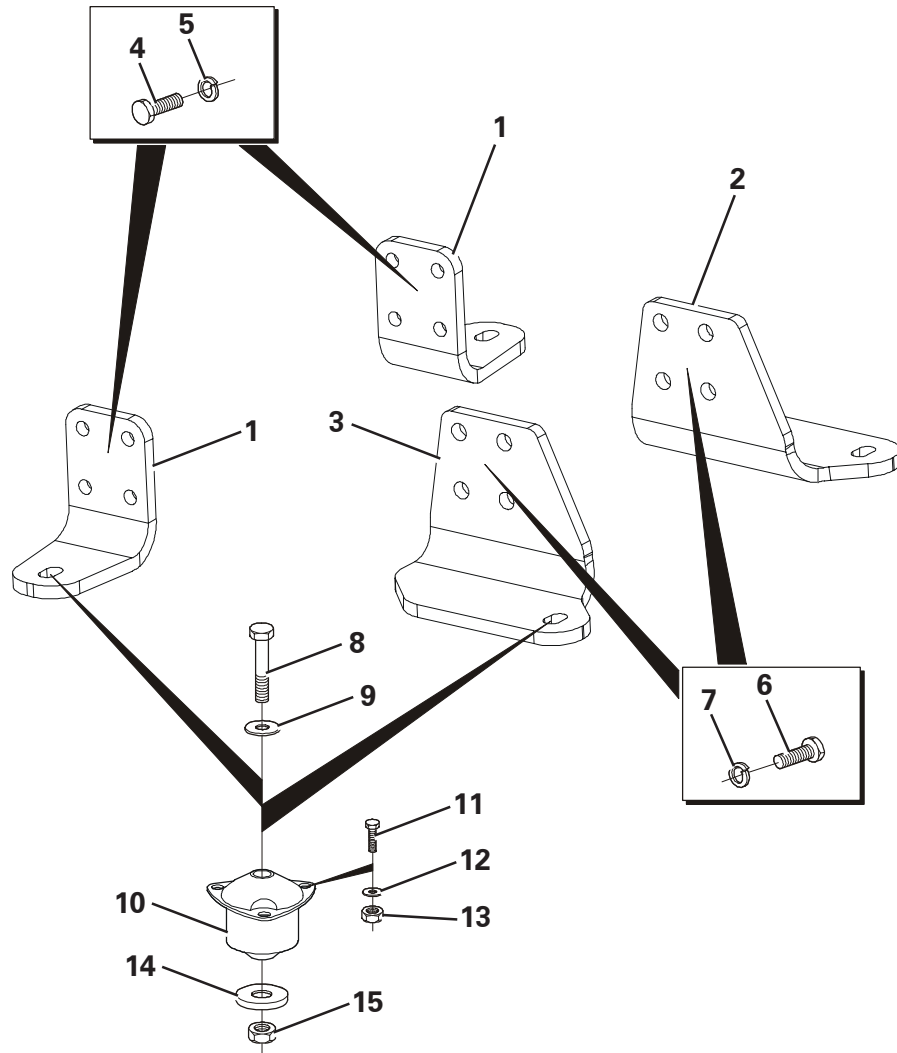
ENGINE - ACCESSORIES



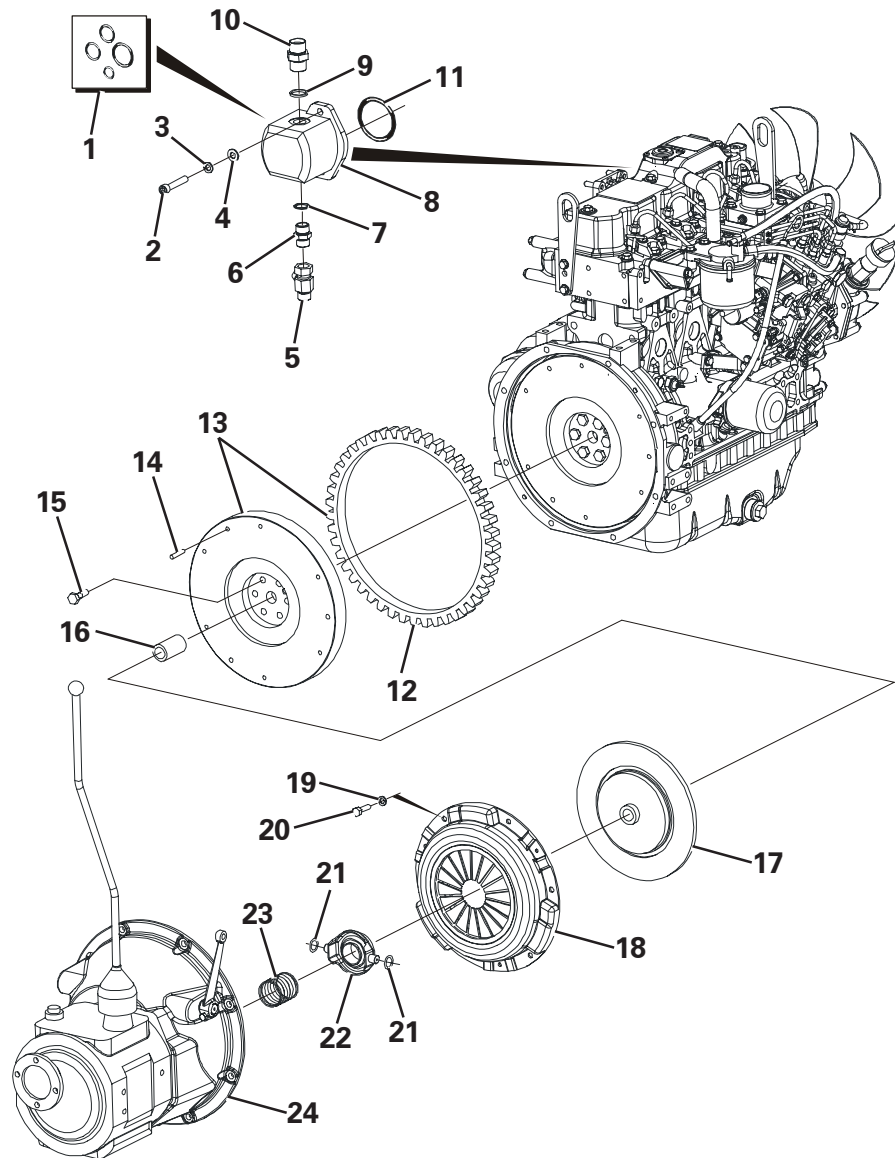
Item	Part No.	Description	Qty	U/M
A	T101871	ENGINE	1.0	EA
1	T52816	CAP	2.0	EA
2	T52819	O RING	3.0	EA
3	T53142	PIPE ASSY	1.0	EA
4	T53048	BELT	1.0	EA
5	T53461	VALVE ASSEMBLY	3.0	EA
6	T53462	STARTER MOTOR	1.0	EA
7	T53263	GENERATOR	1.0	EA
8	T53147	FAN	1.0	EA
9	T53321	BOLT	4.0	EA
10	T52830	GUIDE	1.0	EA
11	T52829	O RING	1.0	EA
12	T53316	GUIDE DIPSTICK	1.0	EA
13	T52842	BOLT	1.0	EA
14	T53463	DIPSTICK	1.0	EA
15	T52832	OIL PRESSURE SWITCH	1.0	EA
16	T52834	O RING	1.0	EA
17	T52835	BOLT	2.0	EA
18	T52833	STOP SOLENOID	1.0	EA
19	T52824	GASKET	1.0	EA
20	T52823	HEATER	1.0	EA
21	T52825	BOLT	4.0	EA
22	T101247	ENGINE LIFTING EYE	1.0	EA

ENGINE MOUNTINGS

Item	Part No.	Description	Qty	U/M
1	T101026	FRONT ENGINE MOUNT	2.0	EA
2	T100988	REAR ENGINE MOUNT RH	1.0	EA
3	T100990	REAR ENGINE MOUNT LH	1.0	EA
4	T7466	SET SCREW	8.0	EA
5	T13362	SPRING WASHER	8.0	EA
6	T14077	BOLT	8.0	EA
7	T14080	SPRING WASHER	8.0	EA
8	T14819	BOLT	4.0	EA
9	T14748	WASHER	4.0	EA
10	T14564	ENGINE MOUNT	4.0	EA
11	T12694	SET SCREW	12.0	EA
12	T12973	PLAIN WASHER	12.0	EA
13	T19007	PHILIDAS NUT	12.0	EA
14	T9046	WASHER	4.0	EA
15	T14283	PHILIDAS NUT	4.0	EA



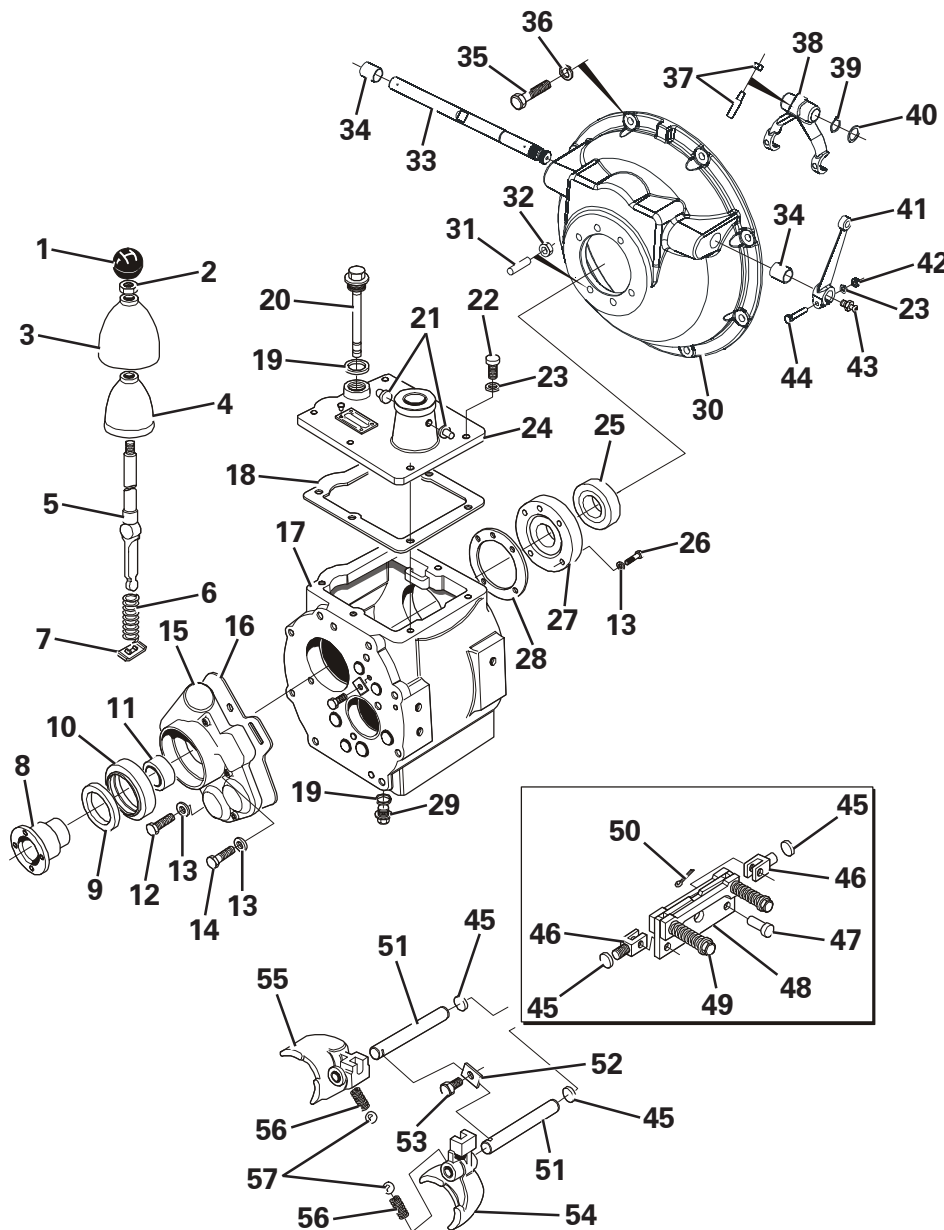
CLUTCH ASSEMBLY & HYD. PUMP



Item	Part No.	Description	Qty	U/M
1	T51601	SEAL KIT	1.0	EA
2	T17969	SOCKET HEAD CAP SCREW	2.0	EA
3	T13362	SPRING WASHER	2.0	EA
4	T10734	HEAVY DUTY WASHER	2.0	EA
5	T18008	PRESSURE TEST POINT ADAPTOR	1.0	EA
6	T13936	ADAPTOR	1.0	EA
7	T5596	DOWTY WASHER	1.0	EA
8	T101977	GEAR PUMP	1.0	EA
9	T5594	DOWTY WASHER	1.0	EA
10	T101609	ADAPTOR	1.0	EA
11	T52891	O RING	1.0	EA
12	T52837	RING GEAR	1.0	EA
13	T53114	FLYWHEEL ASSEMBLY	1.0	EA
14*	T102452	DOWEL	3.0	EA
15	T52838	BOLT	6.0	EA
16	T4520	BUSH	1.0	EA
17*	T102468	CLUTCH DRIVE PLATE	1.0	EA
18*	T102467	CLUTCH COVER ASSY	1.0	EA
19	T12972	SPRING WASHER	6.0	EA
20	T7465	SET SCREW	6.0	EA
21*	T102470	SPRING RETAINERS	2.0	EA
22	T101969	RELEASE BEARING	1.0	EA
23	T101978	PRE-TENSIONER SPRING	1.0	EA
24	T101970	GEARBOX	1.0	EA

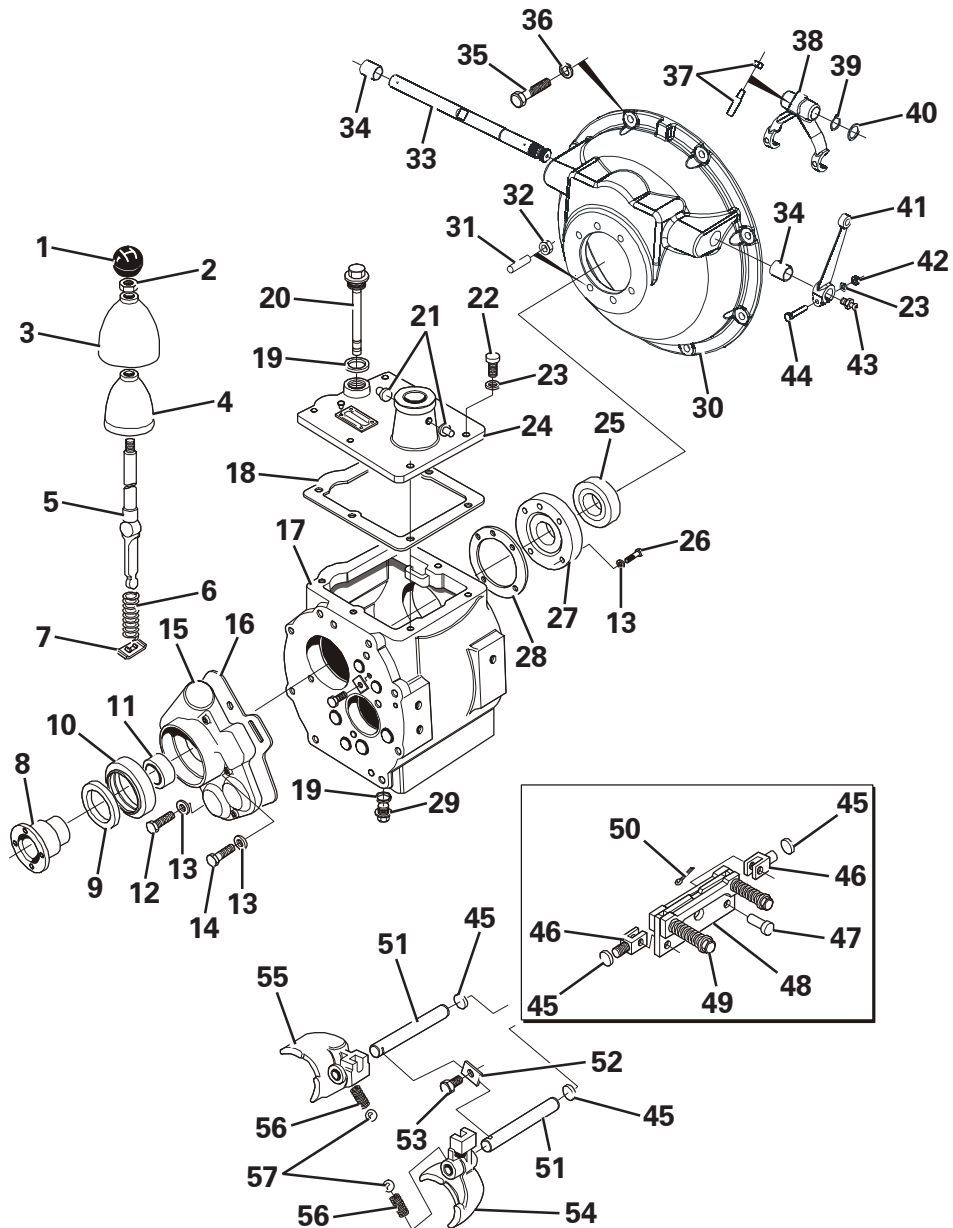
Clutch Assembly and Hyd Pump - Tier 2

G/BOX - HOUSING & SELECTOR FORKS



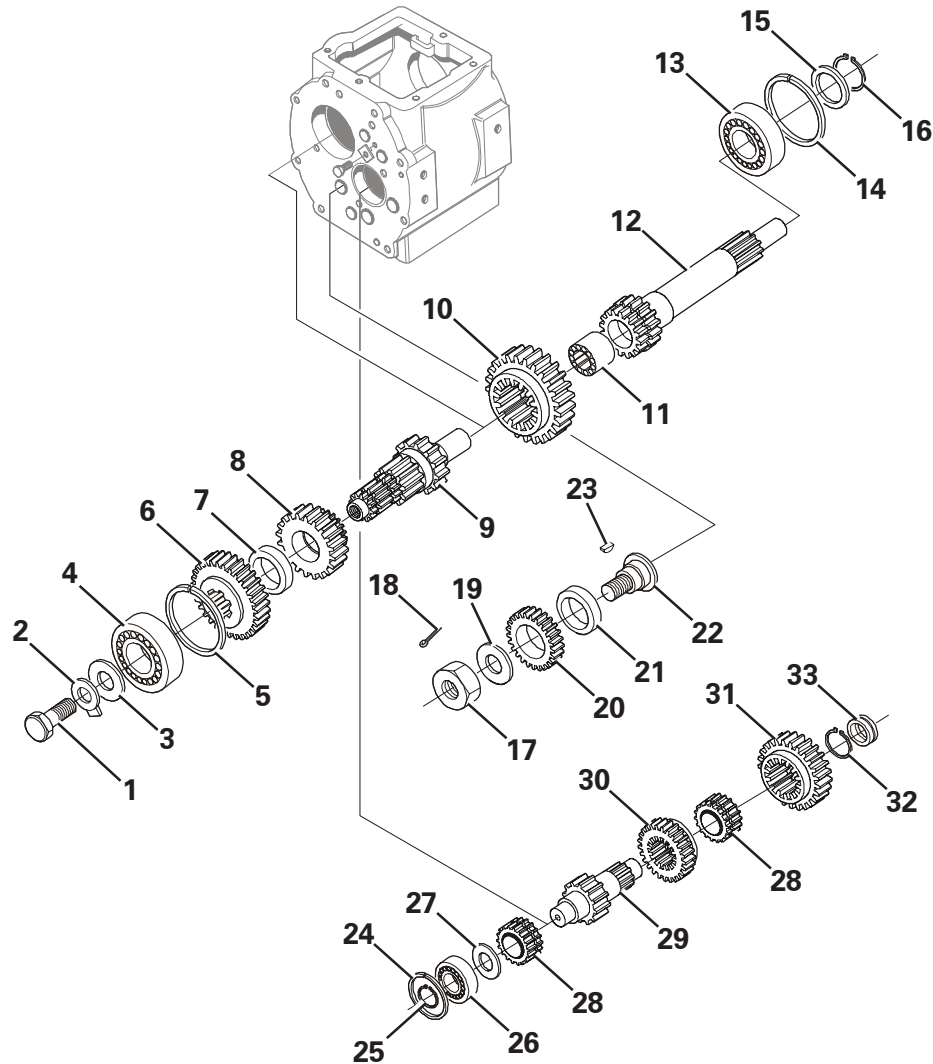
Item	Part No.	Description	Qty	U/M
1	T4547	KNOB	1.0	EA
2	T7727	LOCKNUT	1.0	EA
3	T4485	COVER	1.0	EA
4	T4549	COVER	1.0	EA
5	T53139	GEAR LEVER	1.0	EA
6	T4486	SPRING	1.0	EA
7	T4508	RETAINER PLATES	1.0	EA
8	T4200	COUPLING	1.0	EA
9	T4253	DUST EXCLUDER	1.0	EA
10	T4531	OILSEAL	1.0	EA
11	T4544	SPACER	1.0	EA
12	T6731	BOLT	3.0	EA
13	T3499	NYLITE WASHER	9.0	EA
14	T4327	BOLT	2.0	EA
15	T4564	REAR COVER	1.0	EA
16	T4529	JOINT	1.0	EA
17	T50542	GEAR CASE	1.0	EA
18	T4530	JOINT	1.0	EA
19	T5596	WASHER	2.0	EA
20	T50438	DIPSTICK	1.0	EA
21	T4507	PAD GEAR LEVER	2.0	EA
22	T6774	SCREW	6.0	EA
23	T53137	WASHER	7.0	EA
24	T4519	TOP COVER	1.0	EA
25	T4539	OILSEAL	1.0	EA
26	T6737	BOLT	4.0	EA
27	T53430	FRONT COVER	1.0	EA
28	T4528	JOINT	1.0	EA
29	T4248	PLUG	1.0	EA

G/BOX - HOUSING & SELECTOR FORKS



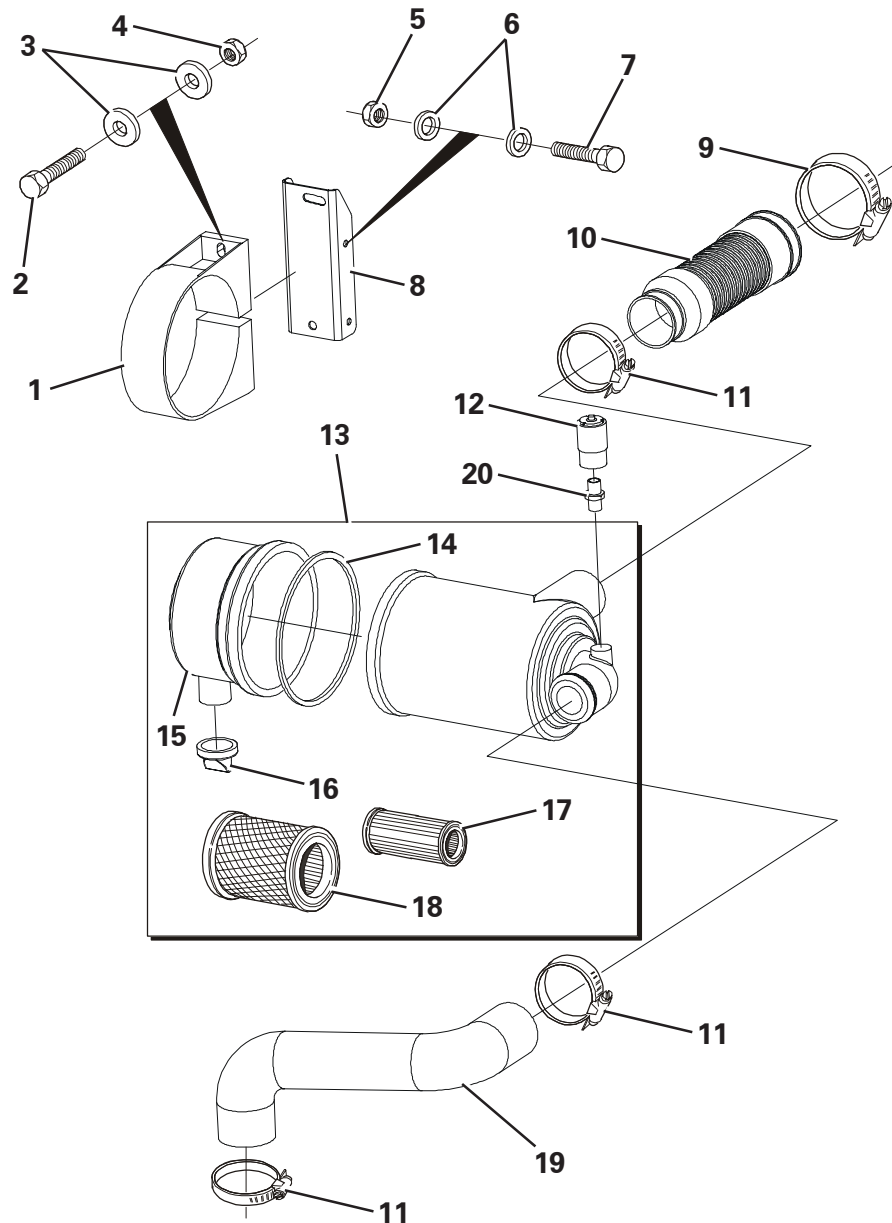
Item	Part No.	Description	Qty	U/M
30	T53469	CLUTCH HOUSING	1.0	EA
31	T4525	STUD	6.0	EA
32	T7631	PHILIDAS NUT	6.0	EA
33	T53287	CLUTCH SHAFT	1.0	EA
34	T4403	BUSH	2.0	EA
35	T7466	SET SCREW	8.0	EA
36	T13362	SPRING WASHER	8.0	EA
37	T4429	COTTER PIN & NUT	1.0	EA
38	T53292	CLUTCH FORK	1.0	EA
39	T4468	CIRCLIP	1.0	EA
40	T4481	WASHER	1.0	EA
41	T4428	CLUTCH LEVER	1.0	EA
42	T7717	NUT	1.0	EA
43	T6673	GREASE NIPPLE	2.0	EA
44	T7977	BOLT	1.0	EA
45	T4415	SEALING DISC	4.0	EA
46	T4514	STUD SHORT	2.0	EA
47	T4512	CLEVIS PIN	2.0	EA
48	T50375	INTERLOCK PLATE	1.0	EA
49	T50374	SAFETY PLATE ASSY	1.0	EA
50	T6744	SPLIT PIN	2.0	EA
51	T4546	SELECTOR SHAFT	2.0	EA
52	T4545	LOCKING STRIP	1.0	EA
53	T3498	SCREW	1.0	EA
54	T4480	FORK 1ST/REVERSE	1.0	EA
55	T4479	FORK 2ND/3RD	1.0	EA
56	T4420	DETENT SPRING	1.0	EA
57	T4464	BEARING	1.0	EA

GEARBOX - INTERNAL



Item	Part No.	Description	Qty	U/M
1	T53293	BOLT	1.0	EA
2	T4443	LOCK WASHER	1.0	EA
3	T3646	WASHER	1.0	EA
4	T4441	BEARING	1.0	EA
5	T4438	SNAP RING	1.0	EA
6	T4562	OUTPUT GEAR	1.0	EA
7	T4550	SPACER	1.0	EA
8	T4559	SPEED GEAR	1.0	EA
9	T4476	MAINSHAFT	1.0	EA
10	T4557	1ST SPEED GEAR	1.0	EA
11	T4477	BEARING	1.0	EA
12	T53468	INPUT SHAFT ASSY	1.0	EA
13	T4543	BEARING	1.0	EA
14	T3486	SNAP RING	1.0	EA
15	T4526	BEARING SPACER	1.0	EA
16	T4440	CIRCLIP	2.0	EA
17	T4309	NUT	1.0	EA
18	T6745	SPLIT PIN	1.0	EA
19	T4535	WASHER	1.0	EA
20	T4561	REVERSE PINION	1.0	EA
21	T4533	BUSH	1.0	EA
22	T4553	SHAFT REVERSE PIN	1.0	EA
23	T4518	KEY	1.0	EA
24	T4096	SNAP RING	2.0	EA
25	T3418	CIRCLIP	1.0	EA
26	T4542	BEARING	1.0	EA
27	T4548	BEARING SPACER	1.0	EA
28	T4558	REVERSE SPEED GEAR	2.0	EA
29	T50543	LAYSHAFT	1.0	EA
30	T4556	2ND SLIDING GEAR	1.0	EA
31	T4487	1ST REDUCTION GEAR	1.0	EA
32	T2379	CIRCLIP	1.0	EA
33	T50544	NEEDLE ROLLER BEARING	1.0	EA

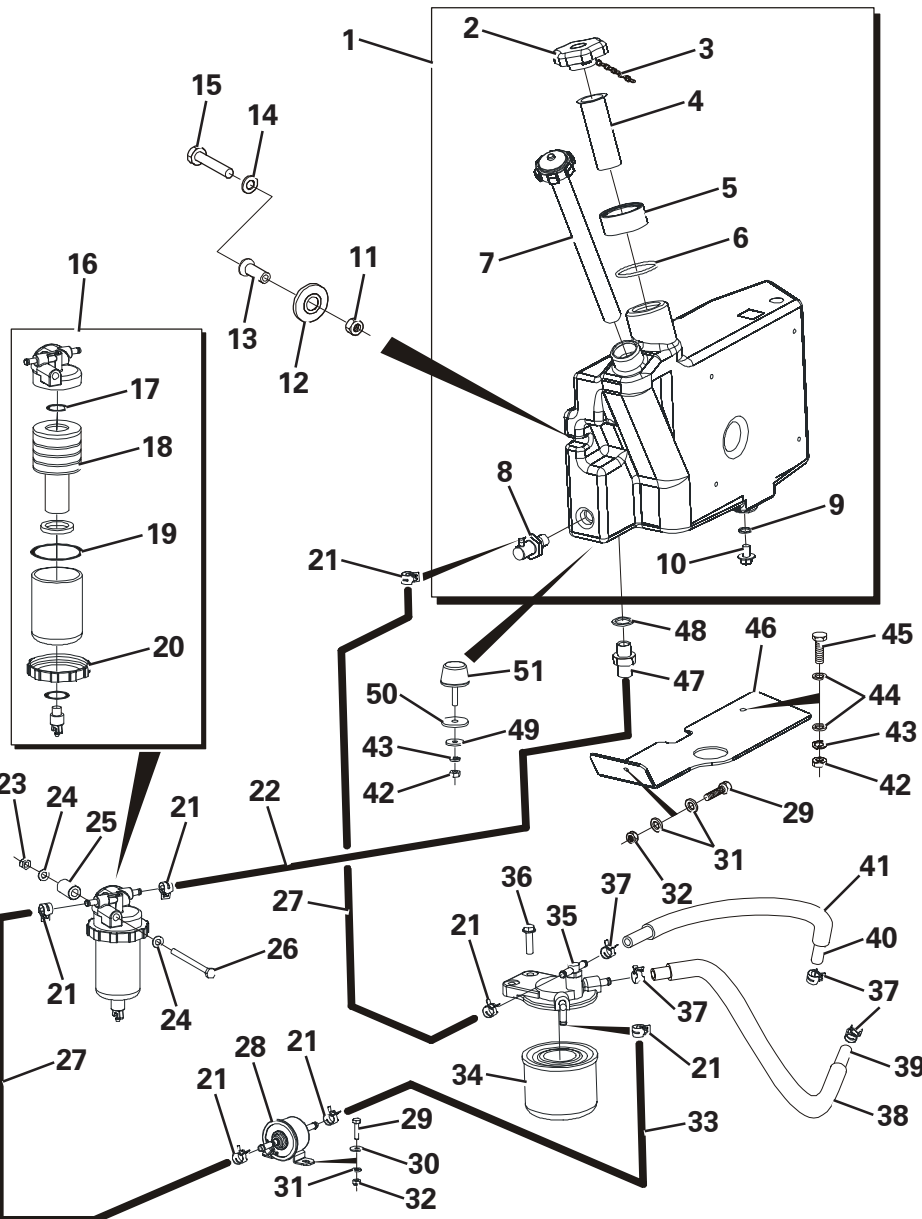
AIR CLEANER ASSEMBLY



Item	Part No.	Description	Qty	U/M
1	T18422	AIR CLEANER BRACKET	1.0	EA
2	T14152	BOLT	2.0	EA
3	T9345	WASHER	4.0	EA
4	T13457	NYLOC NUT	2.0	EA
5	T16481	NYLOC NUT	3.0	EA
6	T13911	FLAT WASHER	6.0	EA
7	T16477	BOLT	3.0	EA
8	T101152	AIR CLEANER MTG BRKT	1.0	EA
9	T7540	JUBILEE CLIP	1.0	EA
10	T101182	FLEXIBLE AIR CLEANER HOSE	1.0	EA
11	T7872	JUBILEE CLIP	3.0	EA
12	T100282	RESTRICTION INDICATOR	1.0	EA
13	T101137	AIR CLEANER	1.0	EA
14	T53116	GASKET	1.0	EA
15	T53115	COVER ASSY	1.0	EA
16	T53117	VALVE	1.0	EA
17	T53119	INNER ELEMENT	1.0	EA
18	T53118	OUTER ELEMENT	1.0	EA
19	T101144	FLEXIBLE AIR CLEANER HOSE	1.0	EA
20	T102297	RESTRICTION INDICATOR ADAPTOR	1.0	EA

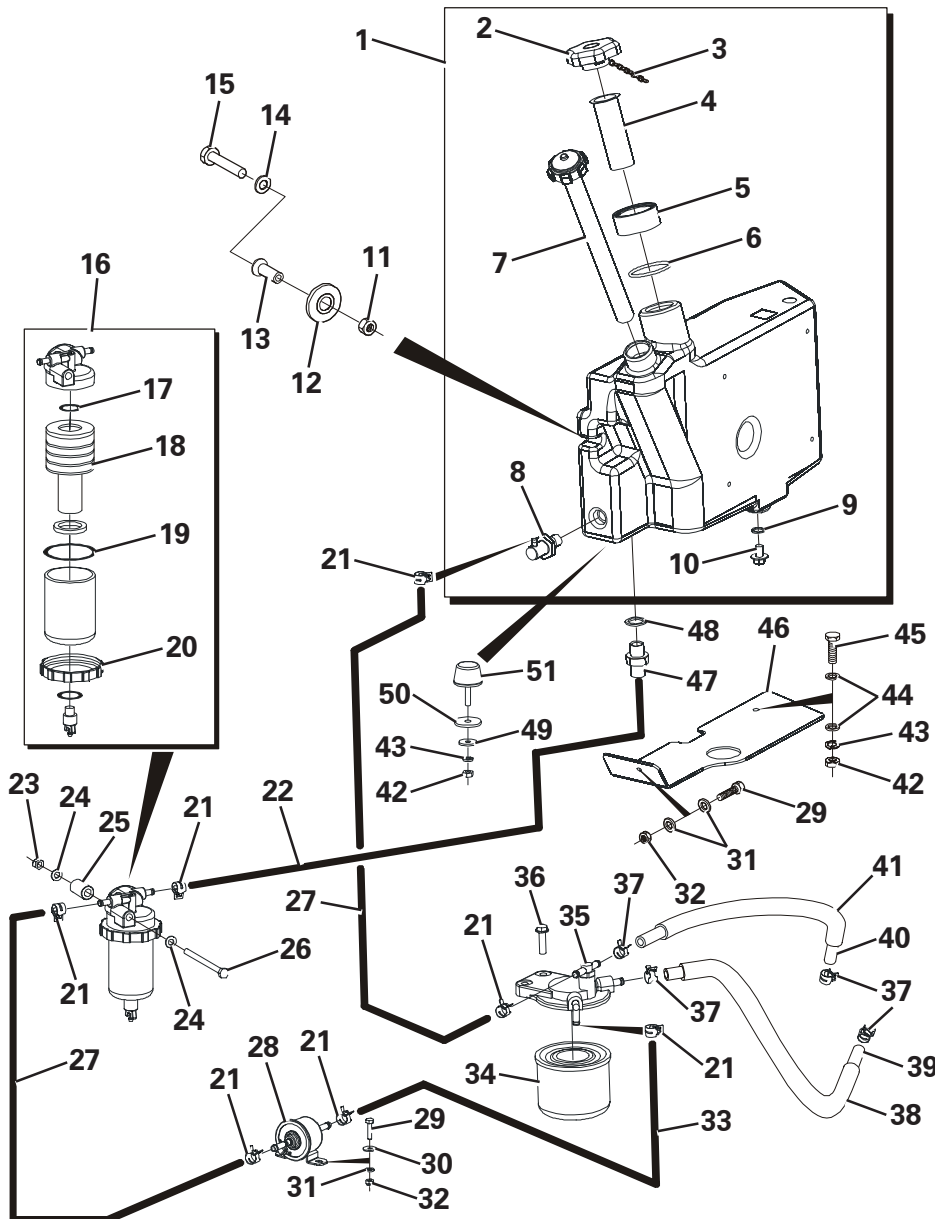
FUEL TANK ASSEMBLY

Item	Part No.	Description	Qty	U/M
1	T102007	FUEL TANK ASSY	1.0	EA
2	T52283	FUEL FILLER CAP	1.0	EA
3	T52437	FILLER CAP CHAIN	1.0	EA
4	T53839	STRAINER	1.0	EA
5	T52543	FILLER CAP COLLAR	1.0	EA
6	T52589	O RING	1.0	EA
7	T52498	LEVEL GAUGE	1.0	EA
8	T53211	FUEL RETURN ELBOW	1.0	EA
9	T52588	FIBRE WASHER	1.0	EA
10	T52282	DRAIN PLUG	1.0	EA
11	T13064	NUT	2.0	EA
12	T100323	RUBBER BACKED WASHER	2.0	EA
13	T100372	TANK SPACER	2.0	EA
14	T10734	H/DUTY WASHER	2.0	EA
15	T17963	BOLT	2.0	EA
16	T53328	SEPERATOR ASSEMBLY	1.0	EA
17	T52901	O RING	1.0	EA
18	T53329	ELEMENT	1.0	EA
19	T52899	O RING	1.0	EA
20	T52897	RING	1.0	EA
21	T100421	SPRING BAND CLAMP	7.0	EA
22	T102008	FUEL HOSE	1.0	EA
23	T13457	NYLOC NUT	1.0	EA
24	T12973	WASHER	2.0	EA
25	T100935	SPACER TUBE	1.0	EA
26	T15658	BOLT	1.0	EA

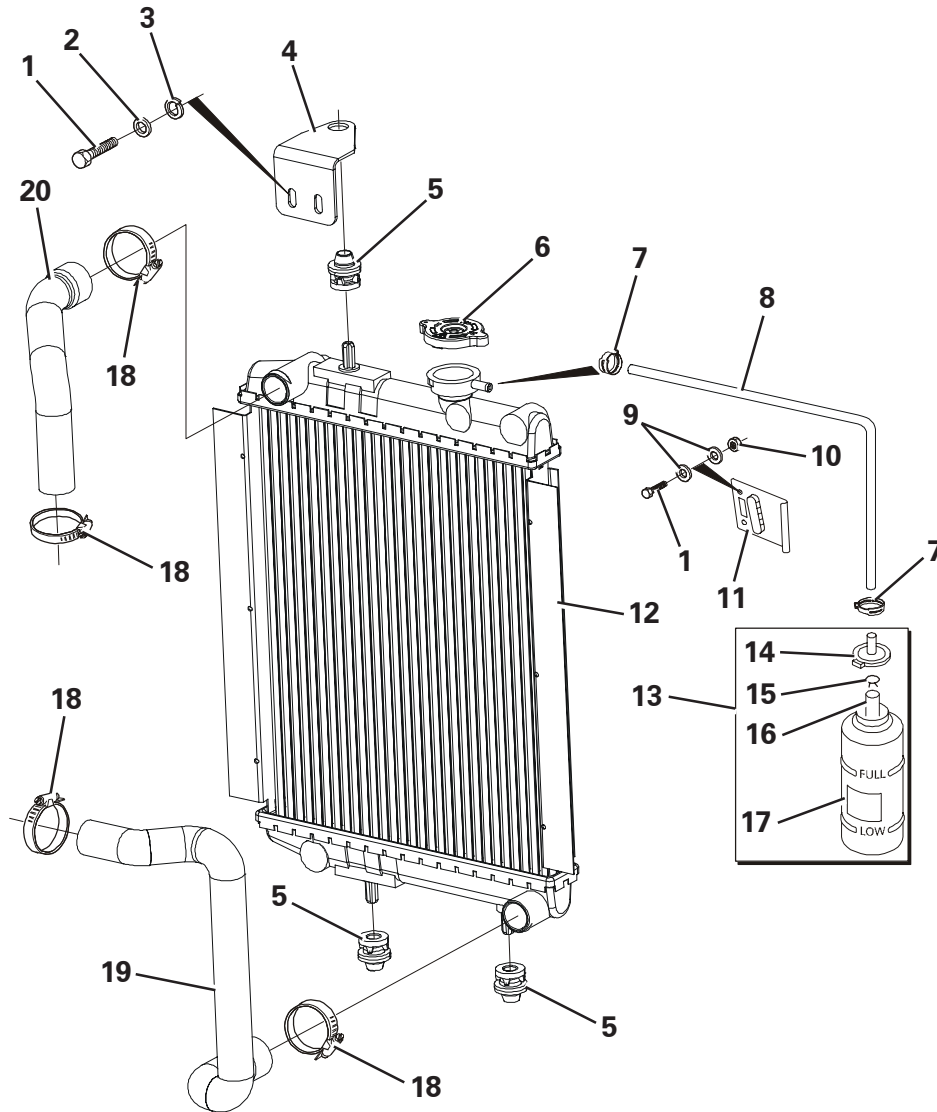


FUEL TANK ASSEMBLY

Item	Part No.	Description	Qty	U/M
27	T101819	FUEL HOSE	2.0	EA
28	T53230	PUMP ASSEMBLY	1.0	EA
29	T16476	SET SCREW	3.0	EA
30	T15830	WASHER HEAVY DUTY	2.0	EA
31	T13911	WASHER	4.0	EA
32	T16481	NYLOC NUT	3.0	EA
33	T102009	FUEL HOSE	1.0	EA
34	T53277	FUEL FILTER	1.0	EA
35	T53323	BRACKET FILTER	1.0	EA
36	T53324	BOLT	2.0	EA
37	T52882	CLAMP	4.0	EA
38	T53464	PROTECTOR FUEL PIPE	1.0	EA
39	T53465	FUEL PIPE	1.0	EA
40	T53466	FUEL PIPE	1.0	EA
41	T53467	TUBE	1.0	EA
42	T9775	NUT	3.0	EA
43	T12972	SPRING WASHER	3.0	EA
44	T12973	WASHER	2.0	EA
45	T14277	BOLT	1.0	EA
46	T101382	FUEL TANK GUARD	1.0	EA
47	T12118	ADAPTOR	1.0	EA
48	T10940	DOWTY WASHER	1.0	EA
49	T9345	HEAVY DUTY WASHER	2.0	EA
50	T101168	TANK MOUNTING SPACER	2.0	EA
51	T100214	RUBBER BUFFER	2.0	EA

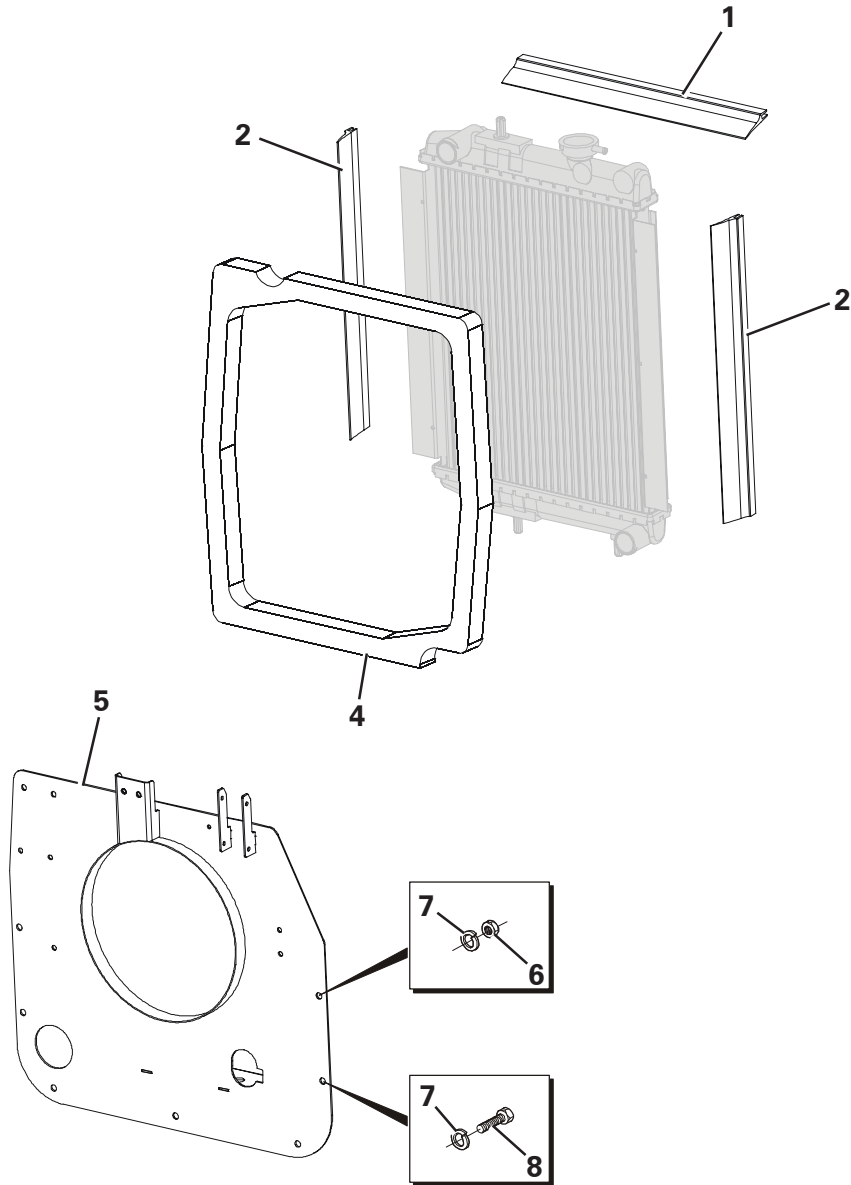


RADIATOR & FIXINGS



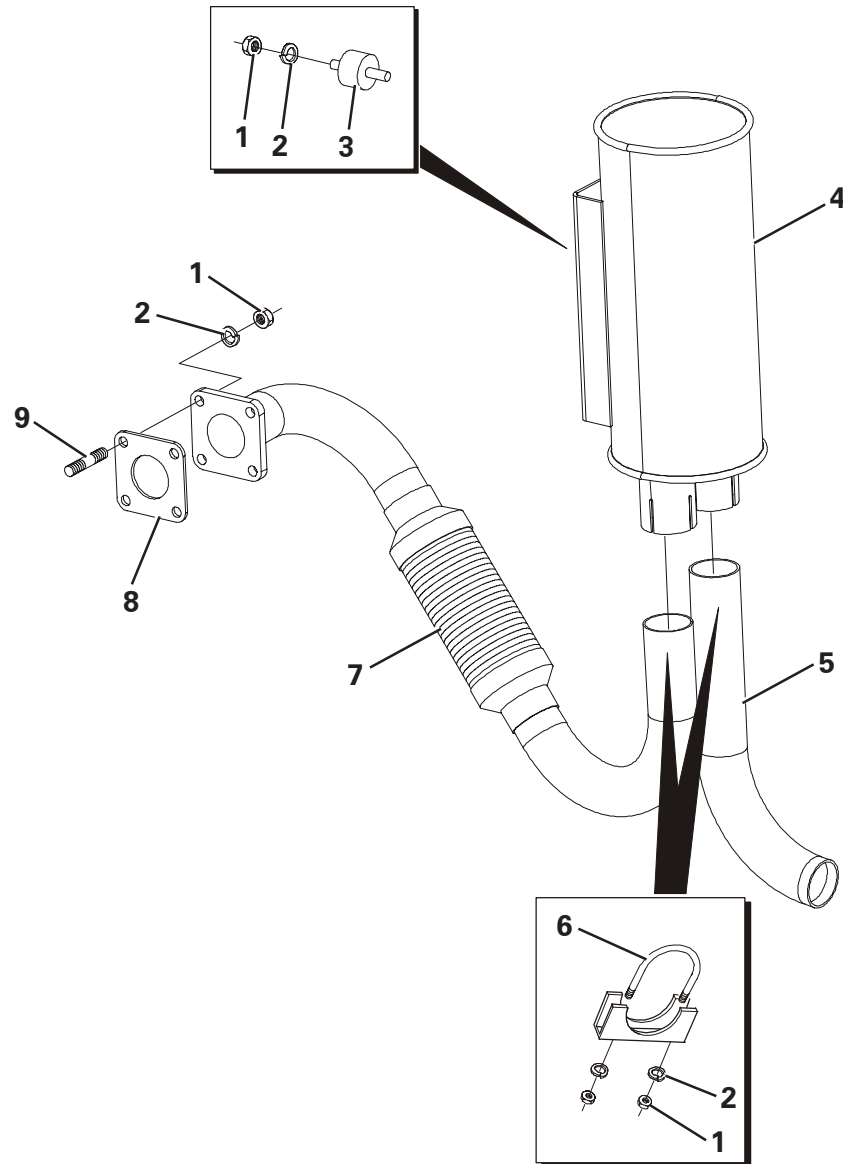
Item	Part No.	Description	Qty	U/M
1	T7465	SET SCREW	4.0	EA
2	T9345	WASHER	2.0	EA
3	T12972	SPRING WASHER	2.0	EA
4*	T102551	TOP RADIATOR MOUNTING	1.0	EA
5	T101188	RADIATOR MTG RUBBER	3.0	EA
6	T53136	RADIATOR CAP	1.0	EA
7	T100421	SPRING BAND CLAMP	2.0	EA
8	T101219	RADIATOR OVERFLOW PIPE	1.0	EA
9	T12973	PLAIN WASHER	4.0	EA
10	T13457	NYLOC NUT	2.0	EA
11	T52805	BRACKET SUB-TANK	1.0	EA
12*	T102402	RADIATOR	1.0	EA
13	T52800	TANK ASSEMBLY	1.0	EA
14	T52802	CAP	1.0	EA
15	T52803	CLAMP	1.0	EA
16	T52804	PIPE	1.0	EA
17	T52801	TANK	1.0	EA
18	T6693	JUBILEE CLIP	4.0	EA
19	T101142	BTM RAD HOSE	1.0	EA
20	T101143	TOP RAD HOSE	1.0	EA

RADIATOR SEALS AND FIXINGS



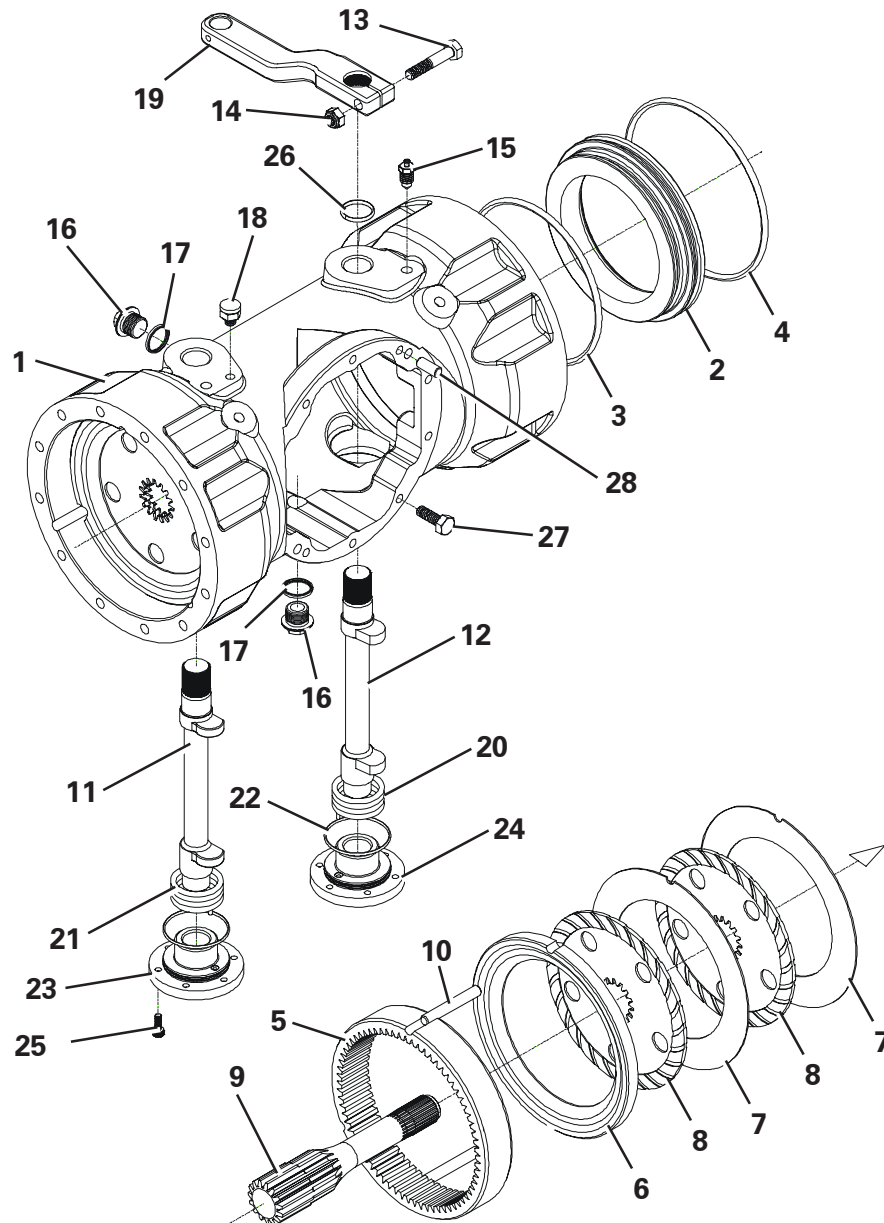
Item	Part No.	Description	Qty	U/M
1*	T101265	SEAL REAR COVER HORIZONTAL	1.0	EA
2	T101264	SEAL REAR COVER VERTICAL	2.0	EA
3*	DELETED			
4*	T102553	RADIATOR SEAL	1.0	EA
5*	T102555	RADIATOR COWL	1.0	EA
6	T12509	NUT	2.0	EA
7	T13362	SPRING WASHER	7.0	EA
8	T7466	SET SCREW	5.0	EA

EXHAUST SYSTEM



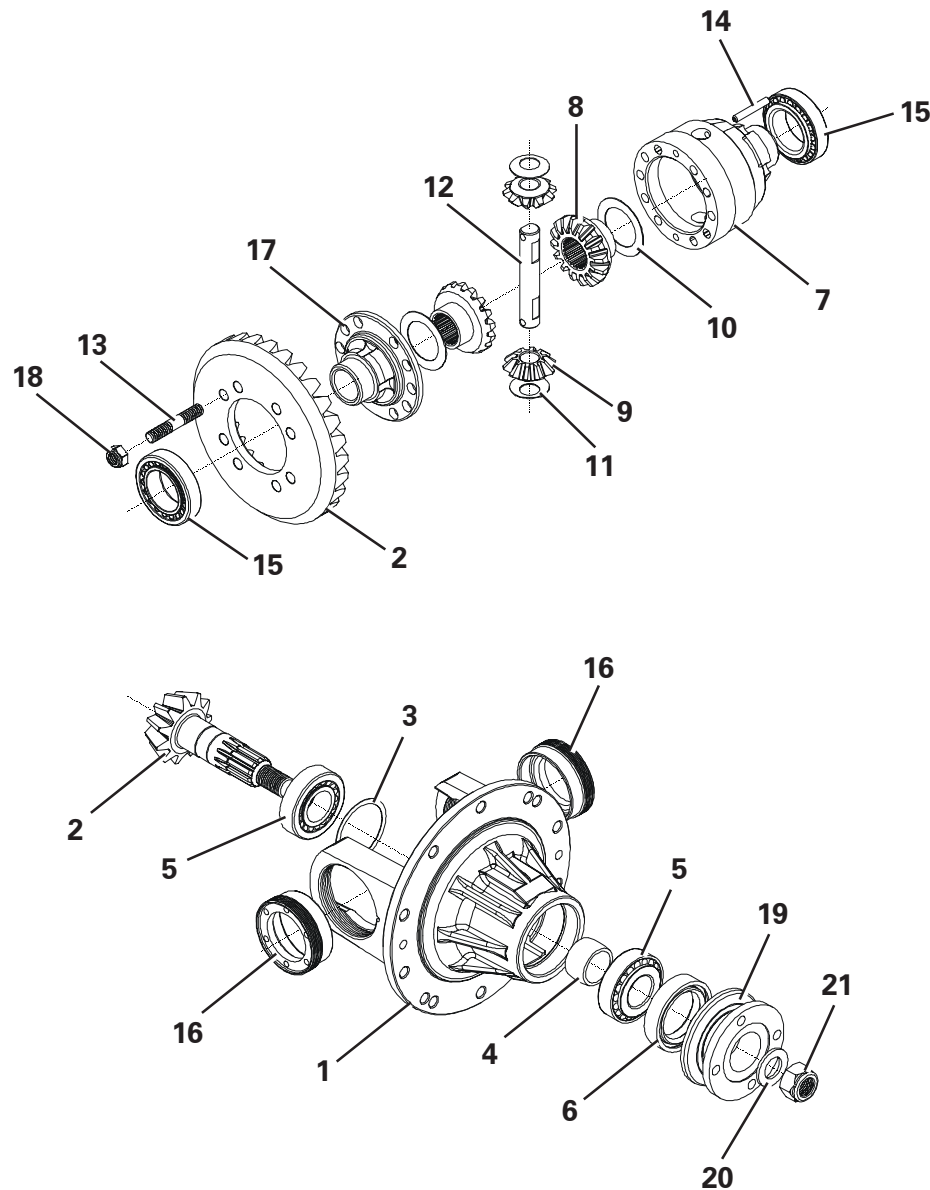
Item	Part No.	Description	Qty	U/M
1	T9775	NUT	11.0	EA
2	T12972	SPRING WASHER	11.0	EA
3	T100796	RUBBER BUFFER	3.0	EA
4	T101160	SILENCER	1.0	EA
5	T101161	OUTLET PIPE	1.0	EA
6	T18834	EXHAUST CLAMP	2.0	EA
7	T101397	EXHAUST PIPE	1.0	EA
8	T53112	GASKET	1.0	EA
9	T52797	STUD	4.0	EA

FRONT AXLE - MAIN CASE



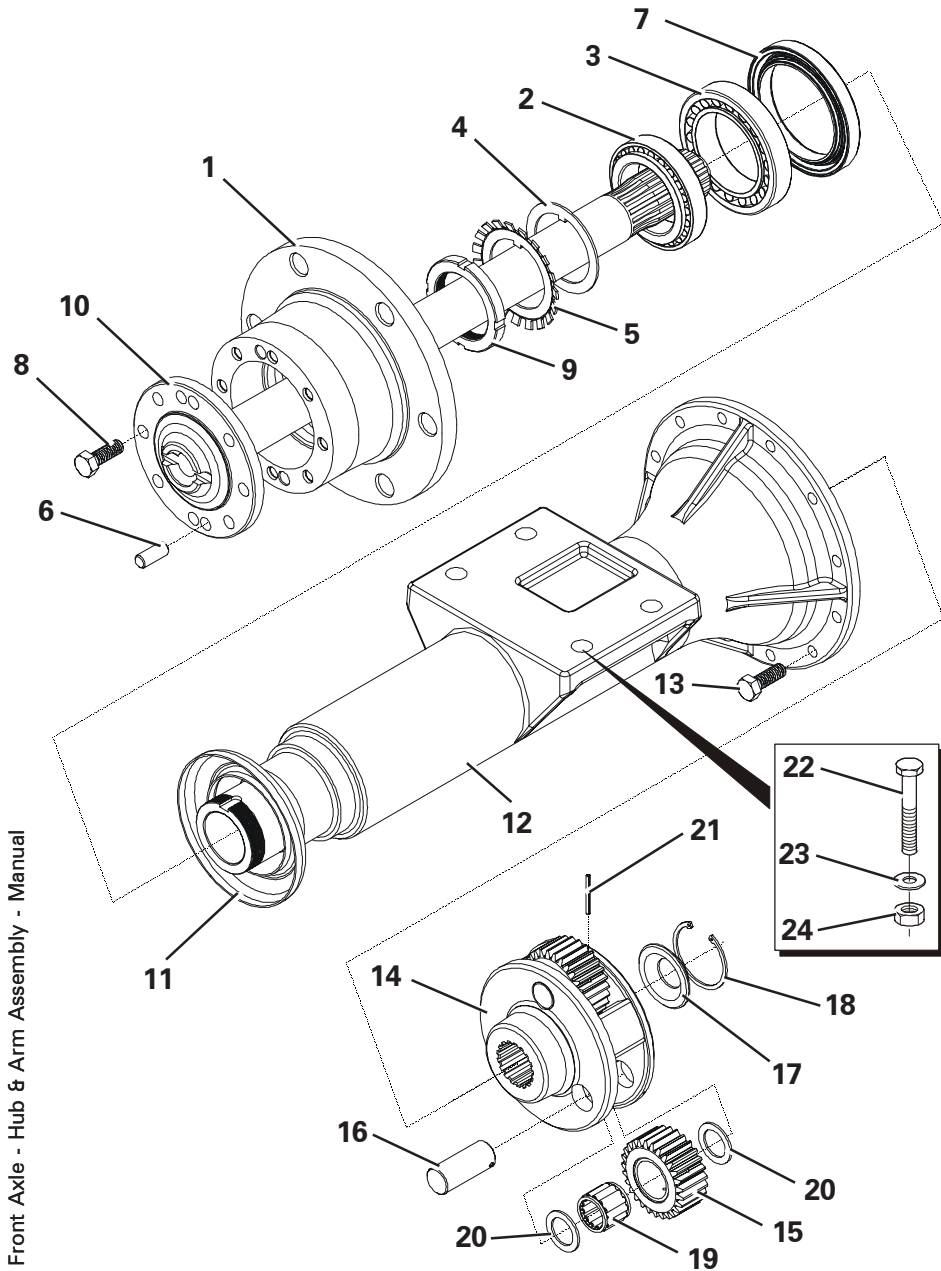
Item	Part No.	Description	Qty	U/M
A	T101012	FRONT AXLE ASSEMBLY	1.0	EA
1	T53131	MAIN CASE	1.0	EA
2	T3049	BRAKE PISTON	2.0	EA
3	T3047	'O' RING	2.0	EA
4	T3048	'O' RING	2.0	EA
5	T50163	ANNULUS	2.0	EA
6	T53192	SPACER PLATE	2.0	EA
7	T53193	BRAKE PLATE	4.0	EA
8	T53194	BRAKE DISC	4.0	EA
9	T53132	SUN GEAR	2.0	EA
10	T3053	DOWEL PIN	4.0	EA
11	T53127	BRAKE LEVER LH	1.0	EA
12	T53128	BRAKE LEVER RH	1.0	EA
13	T52767	BOLT	2.0	EA
14	T52988	NUT	2.0	EA
15	T3038	BLEED NIPPLE	1.0	EA
16	T4248	PLUG	2.0	EA
17	T5596	HYDRAULIC SEAL	2.0	EA
18*	T53442	BREATHER	1.0	EA
19	T52927	BRAKE LEVER	2.0	EA
20	T2394	SPRING	1.0	EA
21	T2393	SPRING	1.0	EA
22	T52790	'O' RING	2.0	EA
23	T52752	COVER LH	1.0	EA
24	T52753	COVER RH	1.0	EA
25	T53126	SCREW	12.0	EA
26	T52791	'O' RING	2.0	EA
27	T3744	BOLT	10.0	EA
28	T3019	DOWEL PIN	2.0	EA

FRONT AXLE - DIFF. ASSEMBLY



Item	Part No.	Description	Qty	U/M
1	T52929	PINION CARTRIDGE	1.0	EA
2	T52946	WHEEL & PINION	1.0	EA
3	T50302	SHIM 0.25MM	A/R	EA
	T50303	SHIM 0.30MM	A/R	EA
	T50304	SHIM 0.40MM	A/R	EA
4	T2892	SPACER	1.0	EA
5	T2893	PINION BEARING	2.0	EA
6	T2891	OILSEAL	1.0	EA
7	T52930	DIFF CASE LH	1.0	EA
8	T50298	DIFF.WHEEL	2.0	EA
9	T50299	DIFF.PINION	2.0	EA
10	T2888	THRUST WASHER	2.0	EA
11	T3027	THRUST WASHER	2.0	EA
12	T2198	DIFF SPIDER	1.0	EA
13	T50300	STUD	8.0	EA
14	T2200	SPRING PIN	2.0	EA
15	T3716	TAPER BEARING	2.0	EA
16	T52781	ADJUSTER NUT	2.0	EA
17	T52931	DIFF CASE RH	1.0	EA
18	T52988	NUT	8.0	EA
19	T52811	FLANGE	1.0	EA
20	T3013	WASHER	1.0	EA
21	T3012	NUT FLANGE	1.0	EA

FRONT AXLE - HUB & ARM

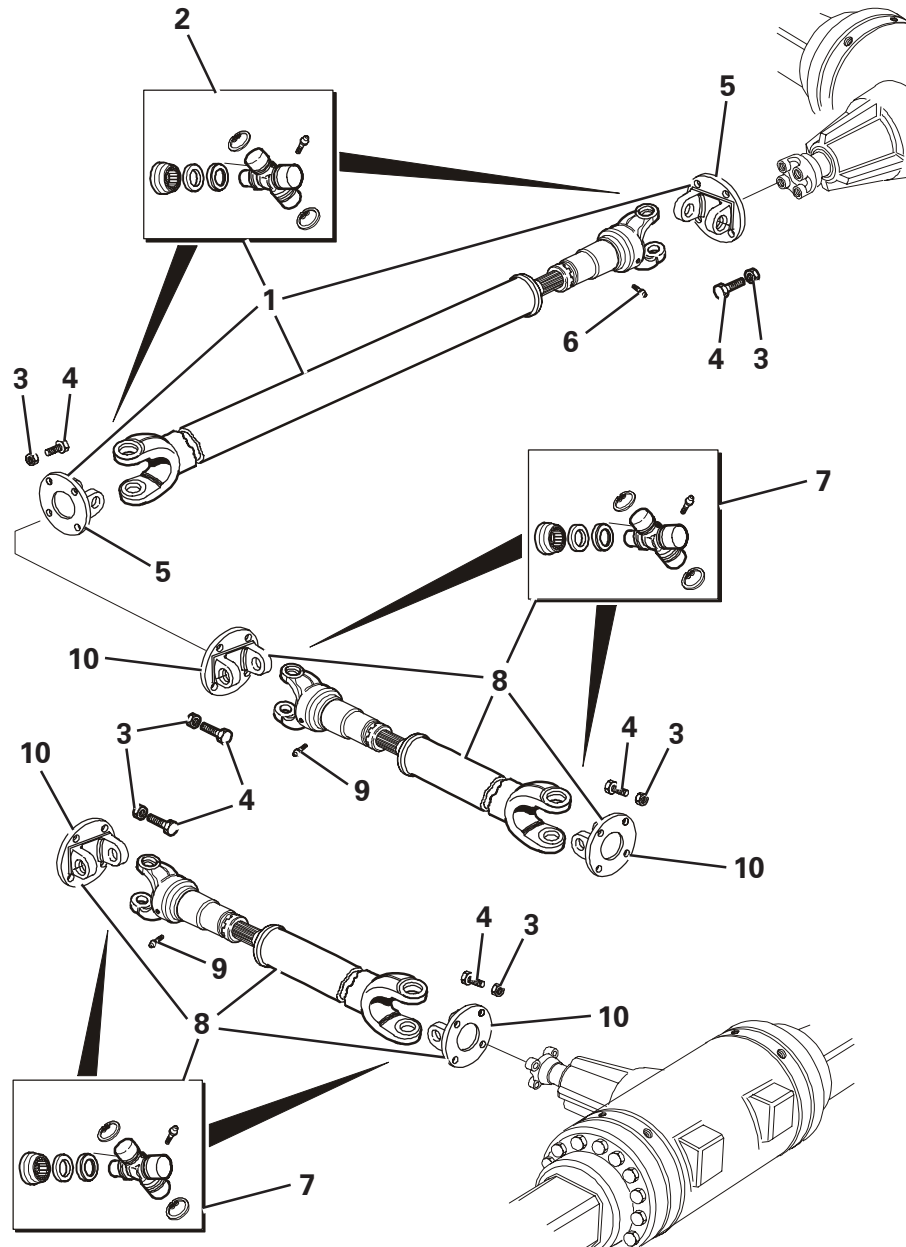


Item	Part No.	Description	Qty	U/M
1	T53022	HUB	2.0	EA
2	T52933	BEARING	2.0	EA
3	T52740	BEARING	2.0	EA
4	T2968	SPACER	2.0	EA
5	T2964	LOCK WASHER	2.0	EA
6	T3019	DOWEL PIN	4.0	EA
7	T52934	OIL SEAL	2.0	EA
8	T52935	BOLT	16.0	EA
9	T52936	LOCKNUT	2.0	EA
10	T53129	AXLE SHAFT	2.0	EA
11	T53134	HUB SEAL COVER	2.0	EA
12	T53130	AXLE ARM	2.0	EA
13	T52935	BOLT	24.0	EA
14	T51730	PLANET CARRIER	2.0	EA
15	T51792	PLANET GEAR	6.0	EA
16	T51793	PLANET PIN	6.0	EA
17	T51794	SPACER	2.0	EA
18	T3059	CIRCLIP	2.0	EA
19	T50612	PLANET CAGE ROLLER	6.0	EA
20	T2202	PLANET THRUST WASHER	12.0	EA
21	T3056	DOWEL	6.0	EA
22	T11315	BOLT	8.0	EA
23	T100867	PLAIN WASHER	8.0	EA
24	T14910	STOVER NUT	8.0	EA

Front Axle - Hub & Arm Assembly - Manual

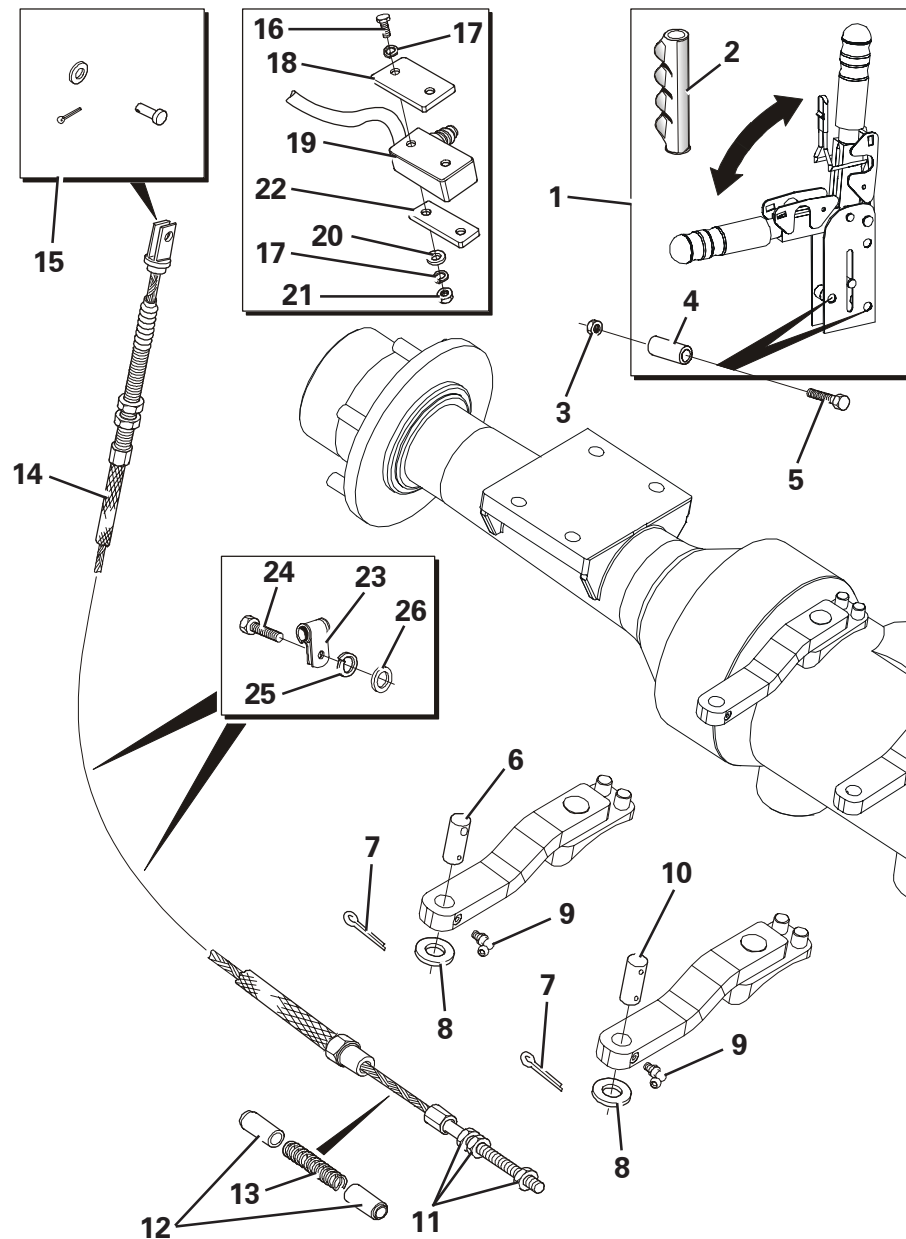
PROPSHAFTS

Item	Part No.	Description	Qty	U/M
1	T11378	PROPSHAFT	1.0	EA
2	T6587	UNIVERSAL JOINT	2.0	EA
3	T7631	PHILIDAS NUT	24.0	EA
4	T7628	BOLT	24.0	EA
5	T6582	FLANGE	2.0	EA
6	T6673	GREASE NIPPLE	1.0	EA
7	T52812	UNIVERSAL JOINT	4.0	EA
8	T100834	PROPSHAFT	2.0	EA
9	T13454	STRAIGHT GREASE NIPPLE	2.0	EA
10	T52813	FLANGE	4.0	EA



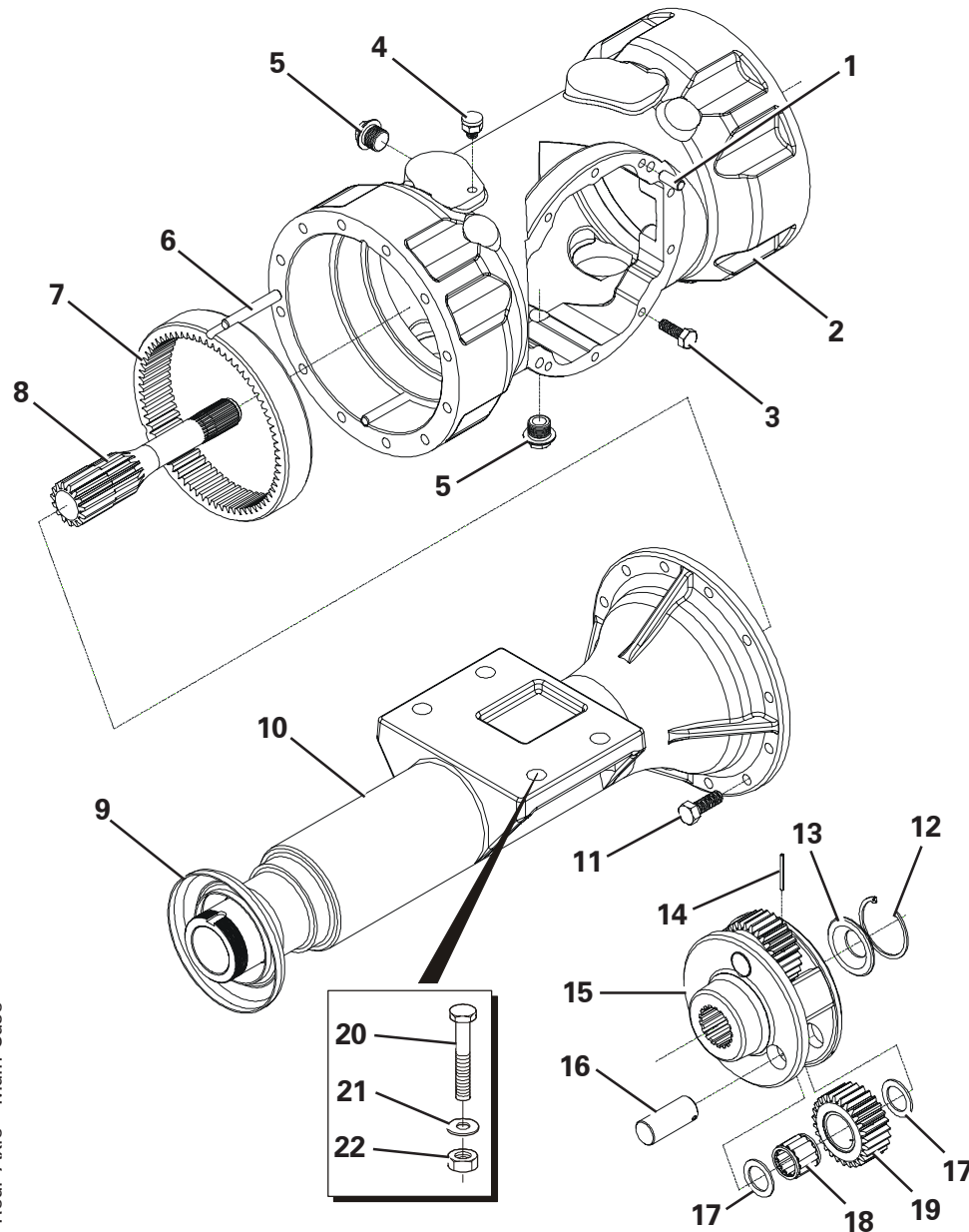
Propshaft - Manual - Phase 3

HANDBRAKE ASSEMBLY



Item	Part No.	Description	Qty	U/M
1	T100893	OVERCENTRE HANDBRAKE	1.0	EA
2	T52947	GRIP	1.0	EA
3	T13064	NUT	3.0	EA
4	T10869	SPACER	3.0	EA
5	T16501	BOLT	3.0	EA
6	T12210	HANDBRAKE CABLE GUIDE	1.0	EA
7	T6751	SPLIT PIN	2.0	EA
8	T6766	WASHER	2.0	EA
9	T16587	GREASE NIPPLE	2.0	EA
10	T12211	HANDBRAKE CABLE STOP	1.0	EA
11	T6719	NUT	3.0	EA
12	T11768	SPRING SUPPORT	2.0	EA
13	T9722	GALVANISED HANDBRAKE SPRING	1.0	EA
14	T101281	HANDBRAKE CABLE	1.0	EA
15	T51714	CLEVIS PIN ASSY	1.0	EA
16	T13321	SET SCREW	2.0	EA
17	T11439	SPRING WASHER	2.0	EA
18	T13289	BACKING PLATE	1.0	EA
19	T100912	MICRO SWITCH	1.0	EA
20	T11440	WASHER	2.0	EA
21	T11447	NUT	2.0	EA
22	T101186	MICROSWITCH SPACER	1.0	EA
23	T11454	CABLE CLIP	2.0	EA
24	T7465	SET SCREW	2.0	EA
25	T12972	SPRING WASHER	2.0	EA
26	T12973	PLAIN WASHER	2.0	EA

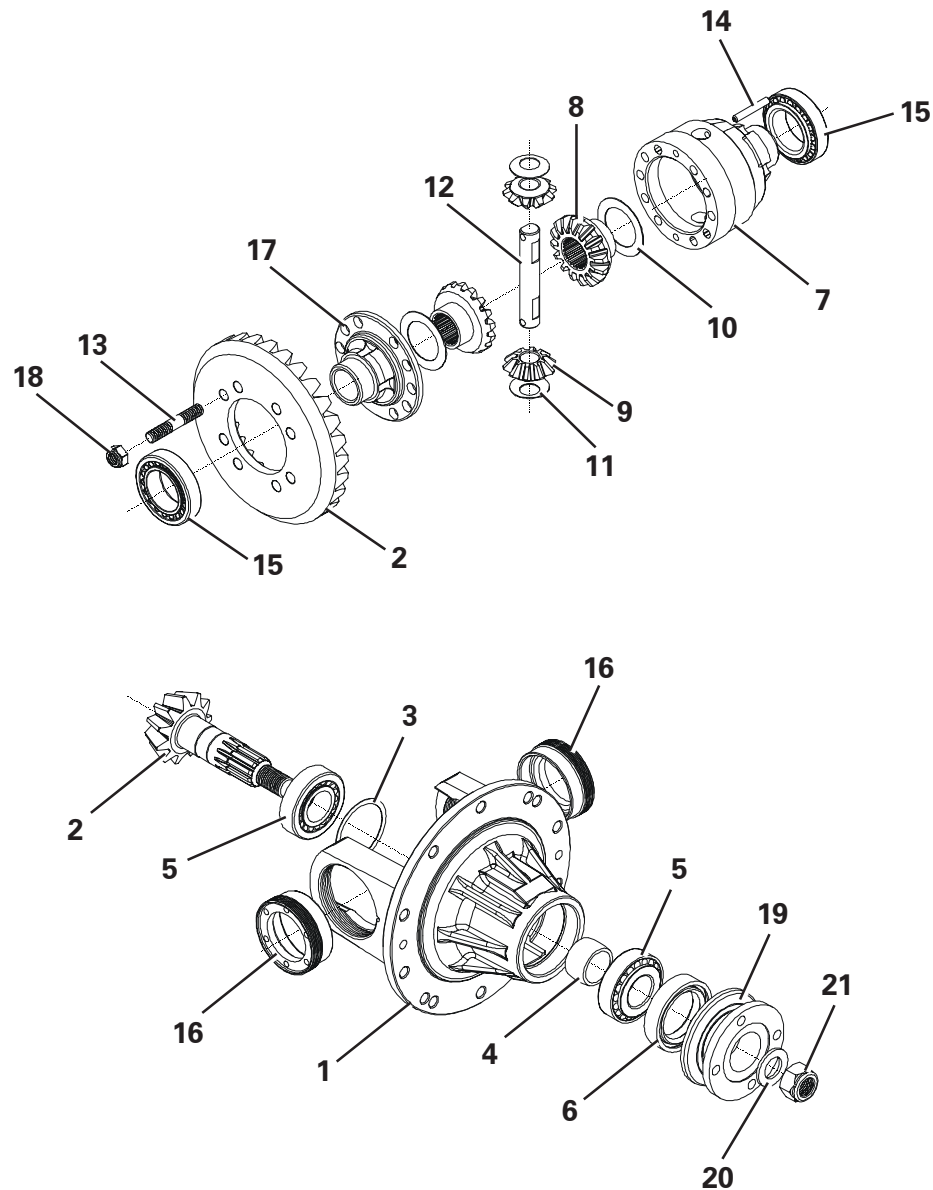
REAR AXLE - MAIN CASE



Item	Part No.	Description	Qty	U/M
A	T101011	REAR AXLE ASSEMBLY	1.0	EA
1	T3019	DOWEL PIN	2.0	EA
2	T52937	MAIN CASE	1.0	EA
3	T52935	BOLT	10.0	EA
4*	T53442	BREATHER	1.0	EA
5	T53074	DRAIN PLUG	2.0	EA
6	T3053	DOWEL PIN	4.0	EA
7	T50163	ANNULUS	2.0	EA
8	T52942	SUN GEAR	2.0	EA
9	T53134	HUB SEAL COVER	2.0	EA
10	T53130	AXLE ARM	2.0	EA
11	T52935	BOLT	24.0	EA
12	T3059	CIRCLIP	1.0	EA
13	T51794	SPACER	1.0	EA
14	T3056	DOWEL	2.0	EA
15	T51838	CARRIER	1.0	EA
16	T51793	PLANET PIN	2.0	EA
17	T2202	PLANET THRUST WASHER	4.0	EA
18	T50612	PLANET CAGE ROLLER	2.0	EA
19	T51792	PLANET GEAR	2.0	EA
20	T11315	BOLT	4.0	EA
21	T100867	PLAIN WASHER	4.0	EA
22	T14910	STOVER NUT	4.0	EA

Rear Axle - Main Case

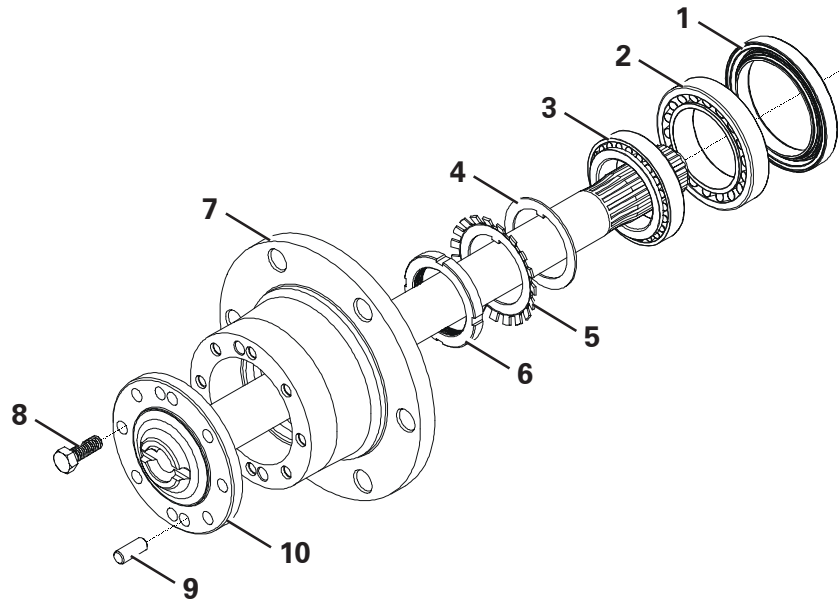
REAR AXLE - DIFF. ASSEMBLY



Item	Part No.	Description	Qty	U/M
1	T52929	PINION CARTRIDGE	1.0	EA
2	T52946	WHEEL & PINION	1.0	EA
3	T50302	SHIM 0.25MM	A/R	EA
	T50303	SHIM 0.30MM	A/R	EA
	T50304	SHIM 0.40MM	A/R	EA
4	T2892	SPACER	1.0	EA
5	T2893	PINION BEARING	2.0	EA
6	T2891	OILSEAL	1.0	EA
7	T52930	DIFF CASE LH	1.0	EA
8	T50298	DIFF.WHEEL	2.0	EA
9	T50299	DIFF.PINION	2.0	EA
10	T2888	THRUST WASHER	2.0	EA
11	T3027	THRUST WASHER	2.0	EA
12	T2198	DIFF SPIDER	1.0	EA
13	T50300	STUD	8.0	EA
14	T2990	SPRING PIN	2.0	EA
15	T3716	TAPER BEARING	2.0	EA
16	T52939	ADJUSTER NUT	2.0	EA
17	T52931	DIFF CASE RH	1.0	EA
18	T52988	NUT	8.0	EA
19	T52811	FLANGE	1.0	EA
20	T3013	WASHER	1.0	EA
21	T3012	NUT FLANGE	1.0	EA

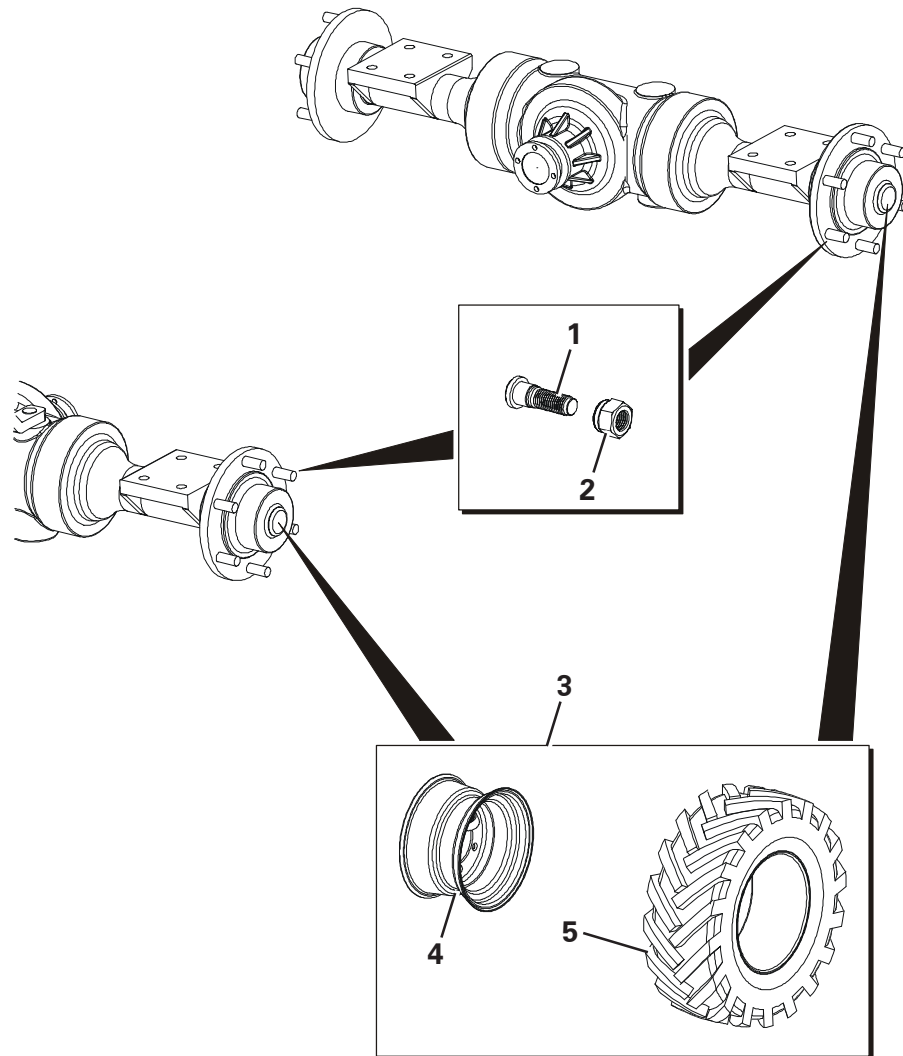
REAR AXLE - HUB & ARM

Item	Part No.	Description	Qty	U/M
1	T52934	OIL SEAL	2.0	EA
2	T52933	BEARING	2.0	EA
3	T52740	BEARING	2.0	EA
4	T2968	SPACER	2.0	EA
5	T2964	LOCK WASHER	2.0	EA
6	T52936	LOCKNUT	2.0	EA
7	T53022	HUB	2.0	EA
8	T52935	BOLT	16.0	EA
9	T3019	DOWEL PIN	4.0	EA
10	T53129	AXLE SHAFT	2.0	EA

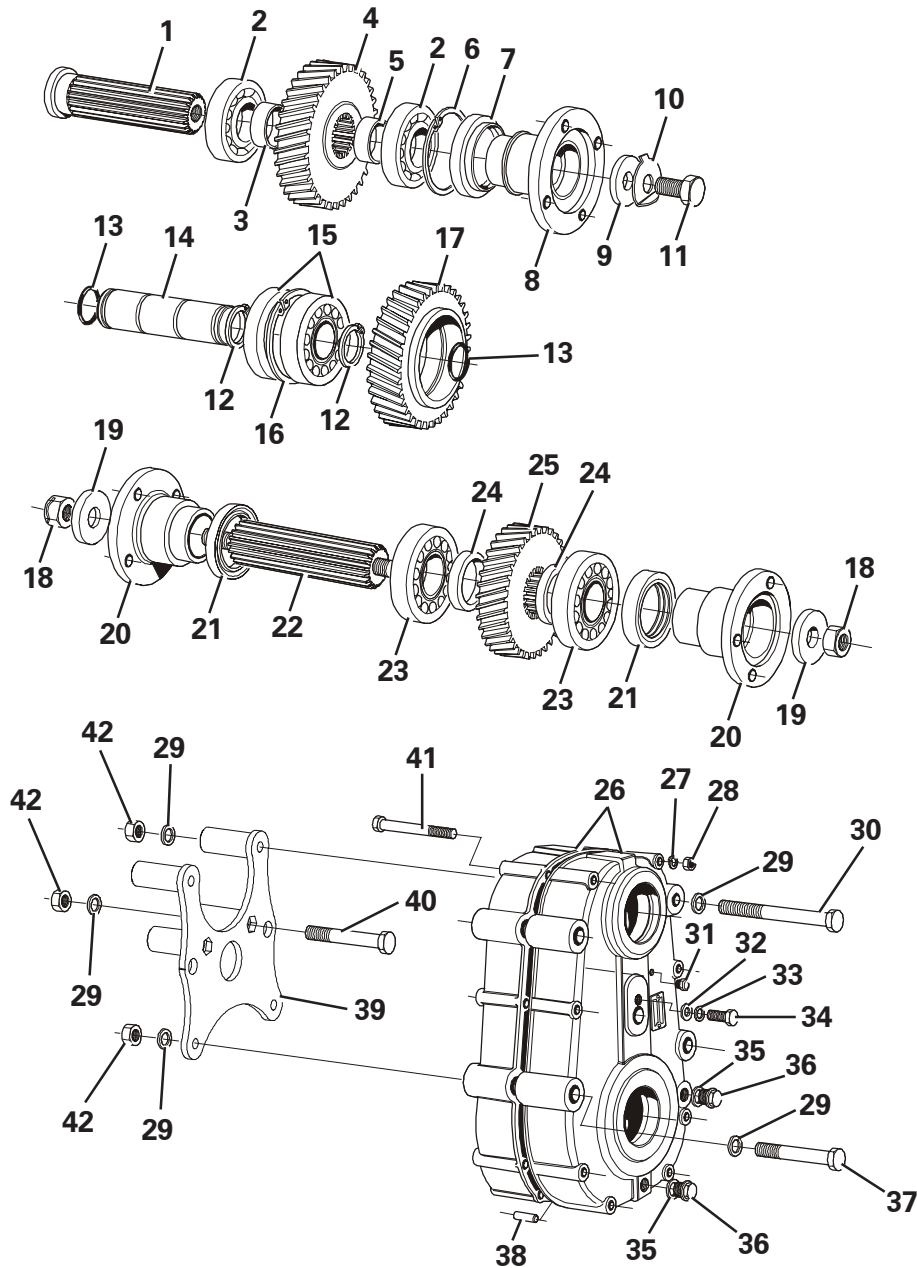


WHEEL ASSEMBLY

Item	Part No.	Description	Qty	U/M
1	T52739	WHEEL STUD	24.0	EA
2	T52747	WHEEL NUT	24.0	EA
3	T100945	WHEEL ASSEMBLY	4.0	EA
4	T100944	WHEEL RIM	1.0	EA
5	T20966	TYRE	1.0	EA

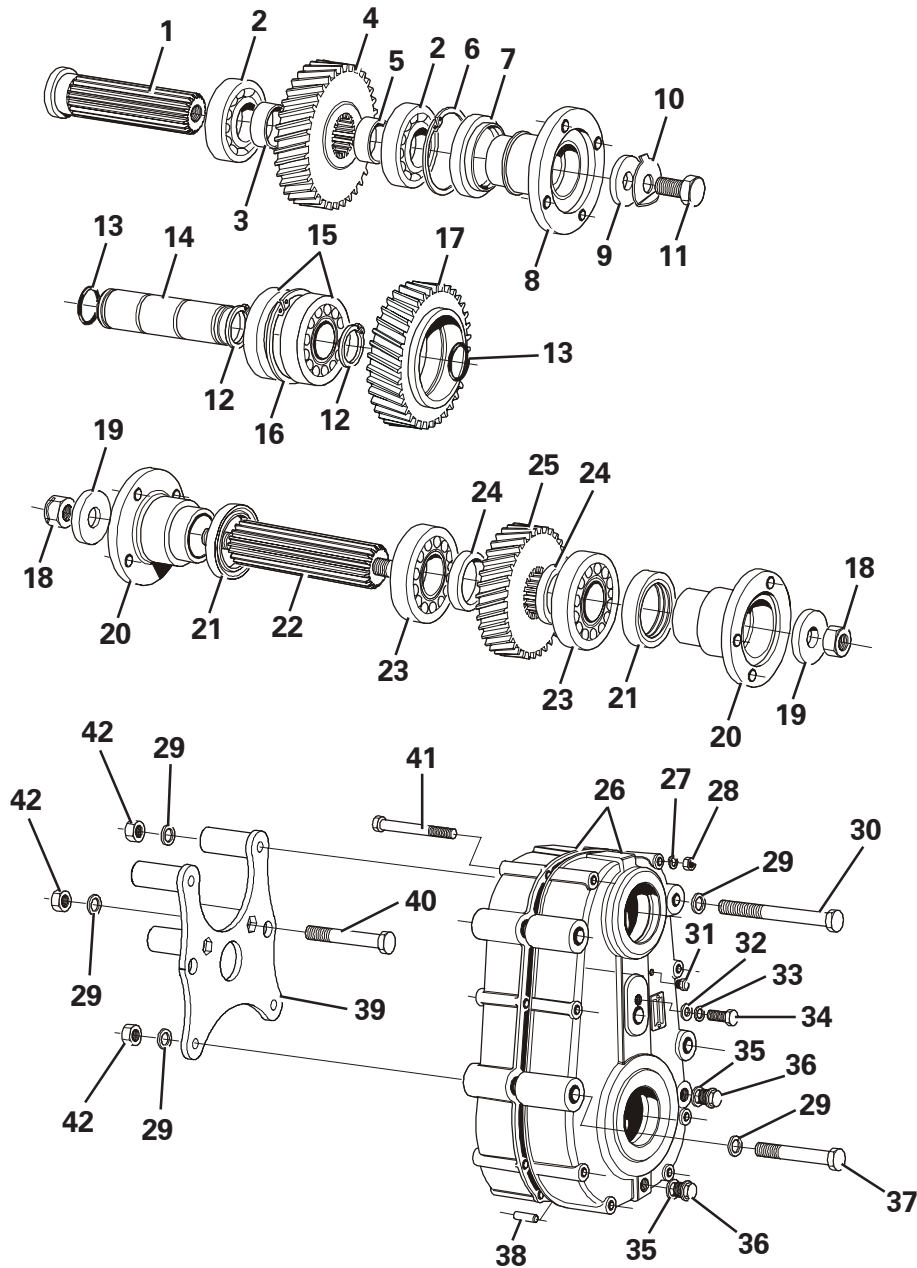


TRANSFER BOX



Item	Part No.	Description	Qty	U/M
A	T15743	DROPBOX	1.0	EA
1	T3495	INPUT SHAFT	1.0	EA
2	T4540	BEARING	2.0	EA
3	T3440	SPACER	1.0	EA
4	T50242	INPUT GEAR	1.0	EA
5	T3439	SPACER	1.0	EA
6	T3113	CIRCLIP	1.0	EA
7	T4531	OILSEAL	1.0	EA
8	T4200	COUPLING	1.0	EA
9	T3646	WASHER	1.0	EA
10	T4443	LOCK WASHER	1.0	EA
11	T3483	SCREW	1.0	EA
12	T2379	CIRCLIP	2.0	EA
13	T3446	O RING	2.0	EA
14	T2197	IDLER SHAFT	1.0	EA
15	T2398	ROLLER BEARING	2.0	EA
16	T4431	CIRCLIP	1.0	EA
17	T50243	IDLER GEAR	1.0	EA
18	T1696	NUT	2.0	EA
19	T1697	THICK WASHER	2.0	EA

TRANSFER BOX



Item	Part No.	Description	Qty	U/M
20	T3487	COUPLING	2.0	EA
21	T3112	OILSEAL	2.0	EA
22	T1698	OUTPUT SHAFT	1.0	EA
23	T3111	BEARING	2.0	EA
24	T3115	SPACER	2.0	EA
25	T50244	OUTPUT GEAR	1.0	EA
26	T2948	GEARCASE	1.0	EA
27	T6705	SPRING WASHER	8.0	EA
28	T9775	NUT	8.0	EA
29	T14748	PLAIN WASHER	10.0	EA
30	T101271	BOLT	2.0	EA
31	T4418	BREATHER	1.0	EA
32	T2195	WASHER	1.0	EA
33	T2196	SEAL	1.0	EA
34	T2159	SCREW	1.0	EA
35	T3769	FIBRE WASHER	2.0	EA
36	T3770	PLUG	2.0	EA
37	T101270	BOLT	2.0	EA
38	T4065	DOWEL	2.0	EA
39	T100983	DROPBOX MOUNTING ASSY	1.0	EA
40	T12609	BOLT	2.0	EA
41	T3472	BOLT	8.0	EA
42	T14283	PHILIDAS NUT	6.0	EA

OPTIONAL EXTRAS

Part No.	Description	Qty	U/M
T100133	ROTATING BEACON	1.0	EA
T100308	XENON BEACON	1.0	EA
KIT 72	ACCESSORIES - REVERSE ALARM	1.0	EA
KIT 242	ACCESSORIES - ELECTRONIC SHUTDOWN	1.0	EA
T100743	ANTI SLIP PADS (MUDGUARDS)	4.0	EA
T101155	ACCESSORIES - ROPS FRAME KIT	1.0	EA
T101156	ACCESSORIES - HINGED ROPS FRAME KIT	1.0	EA
KIT 275	TRANSFER SET - 2 TONNE	1.0	EA

MODIFIED AND ADDITIONAL PARTS

Old Part No.	Qty	Description	Page	Item	Prefix	New Part No.
T100965	1.0	TIPPING RAM	21	1	2	T102155
T13454	1.0	GREASE NIPPLE	21	8	2	DELETED
T13454	1.0	GREASE NIPPLE	21	8	2	T53445
T53121	1.0	ROD ASSEMBLY	21	9	2	T53504
T1624	1.0	SNAP RING	21	10	2	DELETED
ADDED	1.0	GRUB SCREW	21	10	2	T53505
T50421	1.0	SEAL KIT	21	11	2	T53485
T50418	1.0	GLAND	21	12	2	T53482
ADDED	1.0	PISTON HEAD	21	15	2	T53483
ADDED	1.0	GREASE NIPPLE	21	16	2	T53489
T101110	1.0	STEERING RAM	22	1	2	T102156
T13454	1.0	GREASE NIPPLE	22	8	2	T53477
T53122	1.0	ROD ASSEMBLY	22	9	2	T53486
T2162	2.0	SPHERICAL BEARING	22	10	2	T53379
T53123	1.0	SEAL KIT	22	11	2	T53384
T50492	1.0	GLAND	22	12	2	T53385
T50491	1.0	PISTON HEAD	22	13	2	T53386
T51599	1.0	TENSION PIN	22	-	2	NOW IN T53384
ADDED	1.0	SPACER	22	14	2	T53487
T16587	1.0	GREASE NIPPLE	22	15	2	T53406
T5982	3.0	DOWEL	26	14	3	T102452
T101967	1.0	CLUTCH DRIVE PLATE	26	17	3	T102468
T101968	1.0	CLUTCH COVER ASSY	26	18	3	T102467
T7095	2.0	SPRING RETAINERS	26	21	3	T102470
T101180	1.0	RADIATOR	33	12	-	T102402
T101842	1.0	REAR COVER ASSY	1	1	4	T102545
T101153	1.0	TOP RADIATOR MOUNTING	33	4	4	T102551
T101265	1.0	SEAL REAR COVER HORIZONTAL	34	1	4	DELETED
T101266	3.0	SEAL	34	3	4	DELETED
T101735	1.0	RADIATOR SEAL	34	4	4	T102553
T101157	1.0	RADIATOR COWL	34	5	4	T102555
T101092	2.0	BATTERY CLAMP	13	15	-	T102877

MODIFIED AND ADDITIONAL PARTS TO AXLES - T101012

Old Part No.	Qty	Description	Page	Item	Serial No.	New Part No.
T52750	1.0	BREATHER	36	18	-	T53442

MODIFIED AND ADDITIONAL PARTS TO AXLES - T101011

Old Part No.	Qty	Description	Page	Item	Serial No.	New Part No.
T52750	1.0	BREATHER	41	4	-	T53442

MODIFIED AND ADDITIONAL PARTS

Old Part No.	Qty	Description	Page	Item	Prefix	New Part No.
T102410	1.0	DASH PANEL ASSY	14	3	5	T102849
T102491	1.0	DASH PANEL	14	6	5	T102847
T101131	2.0	CIRCUIT BREAKER 18AMP	14	7	5	T102845
T101133	2.0	CIRCUIT BREAKER SPLASHGUARD	14	8	5	T102846

MODIFIED AND ADDITIONAL PARTS

Old Part No.	Qty	Description	Page	Item	Prefix	New Part No.
--------------	-----	-------------	------	------	--------	--------------

Service and Warranty

Thwaites give a warranty which, subject to certain conditions, gives an assurance as to the quality of their product.

The Thwaites warranty states:-

In the manufacture of Thwaites machines we endeavour to ensure that only the best workmanship and materials are used. Consequently, provided:-

1. The machine has been properly used in accordance with our recommendations and,
2. That no alterations have been made to the machine without prior written approval and,
3. That the machine has been maintained, serviced and lubricated in accordance with our recommendations and,
4. That Thwaites Warranty Certificate and/or New Machine Delivery Report has been completed and received by Thwaites within one month of delivery to the user.
5. That Thwaites receive a correctly completed Warranty Claim form within thirty days of the failure occurring.
6. **UK**
That the alleged defective parts are returned to Thwaites within 6 weeks of date of failure.
7. **All other territories**
That unless otherwise instructed the alleged defective parts are to be stored for inspection for a 6 month period from date of failure.

We will examine the alleged defective part and if we are reasonably satisfied that any defect is solely due to bad workmanship or materials, we will at our cost and at our option either repair any defective part or supply a replacement part in full discharge of all obligations upon us.

This warranty does not, however, extend to reconditioned or second-hand machines. For the avoidance of doubt, we will not entertain any other claims of a direct or consequential nature of whatsoever description and our responsibility is limited to the above.

The above warranty shall in no way detract from your statutory rights

Warranty

It is important to use only genuine Thwaites Limited spare parts and to adhere strictly to the conditions of operation and maintenance laid down by Thwaites Limited.

Your warranty may be invalidated if you do not comply with the above recommendations.